

NEW CYCLONE



Instruction Manual

4040 Kodiak Court • Frederick, CO 80504 • www.inteccorp.com
Local: (303) 833-6644 • Fax: (303) 833-6650 • Toll Free: (800) 666-1611

CYCLONE

Table of Contents

| | |
|---------------------------------------|----|
| Machine Information..... | 2 |
| Contacting Intec | 3 |
| Introduction | 4 |
| Specifications | 5 |
| General Overview | 6 |
| The Parts..... | 7 |
| How the System Works Together | 8 |
| Safety First | 9 |
| Set-Up and Operation..... | 10 |
| Generators and Extension Cords..... | 15 |
| Maintenance..... | 16 |
| Troubleshooting | 19 |
| Mechanical / Electrical Drawings..... | 23 |
| Claims, Damage or Loss | 38 |
| Warranty..... | 42 |

CYCLONE

Contacting Intec

Phone support:

Available Monday - Friday, excluding holidays. In the United States and Canada, call (800) 666-1611, 7:00 A.M. to 5:00 P.M. Mountain Time. Ask for technical support and one of our technicians will be glad to help you.

On-site/off-site repair support:

Available Monday to Friday, excluding holidays. In the United States and Canada, call (800) 666-1611, 7:00 A.M. to 5:00 P.M. Mountain time. For authorized service centers across the United States visit our web site, www.inteccorp.com and click on Tech Support. Authorized service centers are independently owned and operated and are not part of Intec. Consult the nearest service center for the hours of operation and lead time for repair.

Website support:

Visit our web site 24/7 at www.inteccorp.com and go to the specific model you're wanting information on. The technical section of the web site is constantly being updated with new information and technical documents. If you cannot find what you are looking for please contact us Monday - Friday, excluding holidays, in the United States and Canada, call (800) 666-1611, 7:00 A.M. to 5:00 P.M. Mountain Time.

Contact Information:

Ph: 1-303-833-6644
1-800-666-1611
Fax: 1-303-833-6650
E-mail: info@inteccorp.com

Intec appreciates your business

Thank you for purchasing an Intec insulation system. Since 1977, both professional contractors and do-it-yourself equipment users have looked to Intec as the industry leader in the design and manufacture of innovative portable insulation blowing equipment. We take pride in making your job as easy and profitable as possible.

The right system for your needs: Intec strives to provide you with the best combination of portability, functionality, and installation versatility to surpass your desired success. From lightweight polyethylene units with removable hoppers, to larger units with increased production rates and installation versatility, all of our durable systems are made to maximize your profit generating potential.

Best-in-class Customer Service: Total ease of use extends beyond your initial purchase of an Intec system to your evolving needs thru the entire lifecycle. Both before *and* after the sale service is important to keep you running at peak operating capabilities. Intec's technical team provides installation assistance in addition to maintenance suggestions and trouble-shooting support. In addition to blowing machines, Intec produces a range of accessories that will increase your productivity when dense packing, damp spraying, and installing net and blow.

Thank you for partnering with Intec. We appreciate the confidence and trust you have placed in us, and wish you many profit-generating opportunities!



Ray Lavallee
President

CYCLONE

Specifications

| | |
|--------------------|--|
| Material | All Steel construction Powder Coat finish |
| Dimensions | 38" H x 28.5" W x 22.6" D |
| Weight | 173 lbs (78.6 kg) |
| Hopper capacity | 15 lbs. (5.52 Cubic feet) |
| Blower(s) | 1 or 2, 2 Stage, 8 amps, 104 CFM (110 VAC) 1 or 2, 2 Stage, 4 amps, 126 CFM (230 VAC) |
| Drive Motor | 1/2 HP, 7.8 amps @ 110 VAC 1/2 HP, 4.1 amps @ 230 VAC |
| Power requirements | 110 VAC, 60 Htz, 20 amp circuit 230 VAC, 50 Htz, 10 amp circuit |
| Wheels | 6" |
| Warranty | One year limited 90 days limited on electric, blower and airlock system |
| Production: | (100' hose @ 16' lift) |
| Fiberglass | 255 lbs/hr (116 kg/hr) |
| Cellulose | 970 lbs/hr (441 kg/hr) |

Specifications are subject to change without notice.

CYCLONE

General Overview

Three subsystems make up the CYCLONE:

AGITATOR AND AIRLOCK: The CYCLONE uses a 1/2 horsepower integrated motor/gearbox to drive both the agitator and airlock. The agitator conditions the insulation material before going into the airlock and out through the hose.

BLOWER MOTOR(S): The CYCLONE can be equipped with either a single or dual blower to push the material through the hose and into the attic with optimum pressure and output. The blower(s) is connected to the air intake port of the airlock.

ELECTRICAL COMPONENTS: The CYCLONE requires a dedicated 20 or 10 amp grounded power supply depending upon voltage. Less amperage will likely trip the circuit breaker. Always disconnect the electrical power before beginning any maintenance. **And as with all electrical systems, never attempt to operate the CYCLONE with either the operator or the machine standing in water.**

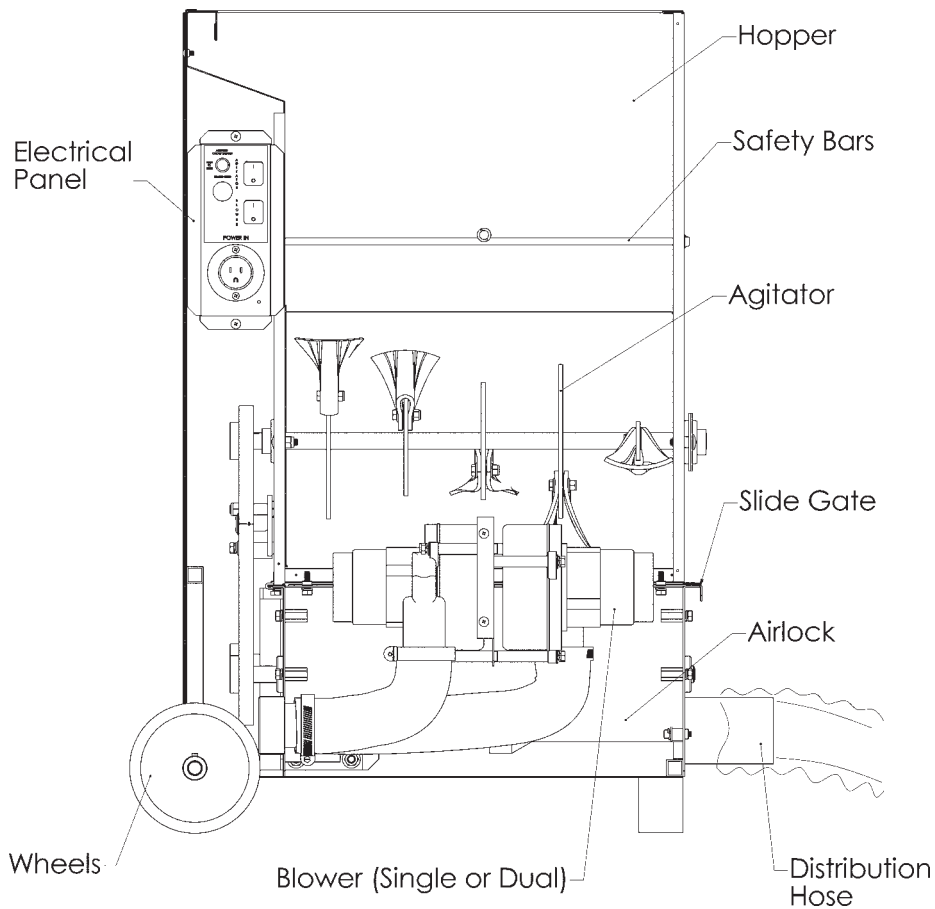
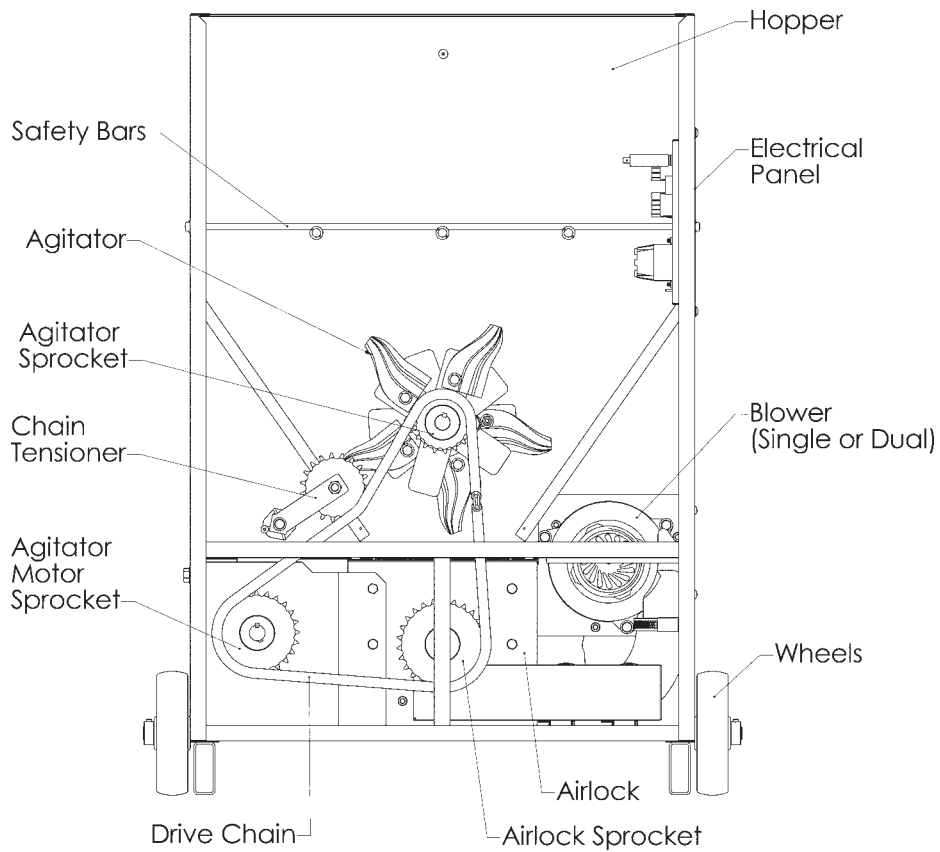
CYCLONE

The Parts

- A. Hopper: upper component of the CYCLONE where insulation is loaded.
- B. Safety Bars: prevent large pieces of insulation falling into the agitation system.
- C. Slide gate: increase or decreases the amount of material entering the airlock.
- D. Electrical Panel: on/off function of both the blower and agitator motors.
- E. Agitator Chain: transfers power from the 1/2 HP integrated motor/gearbox to both the agitator and airlock.
- F. Chain Tensioner: keeps constant tension on the chain and automatically adjusts as the chain stretches.
- G. Airlock: moves conditioned material from the agitator into the airflow from the blower. Airlock seals must be maintained in good working condition for the CYCLONE to operate at peak performance.

CYCLONE

How the System Works Together

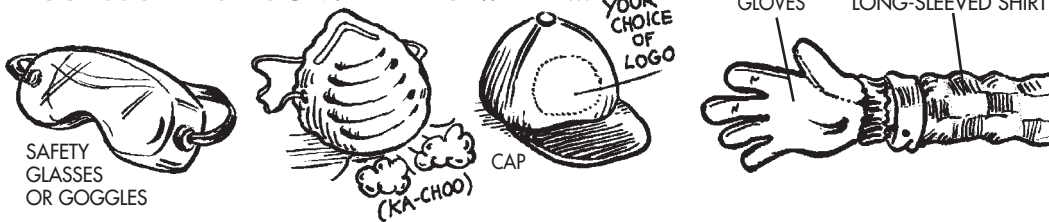


CYCLONE

Safety First

When working with insulation, always wear a long sleeve shirt, gloves, a hat, goggles or safety glasses for eye protection and a 3M brand #8710 nose/mouth filter (or equivalent) for respiratory protection.

ACCESSORIES YOU NEED TO WEAR...



Never put your hands into the hopper while the machine is running.

Keep tools and other foreign objects out of the hopper. Clean all material out of the hopper and the hose when the job is complete.

Never leave the machine unattended while it is running. Turn “off” and disconnect power before taking a break.

Never operate the machine if it or the operator is standing in water. Serious injury may result.

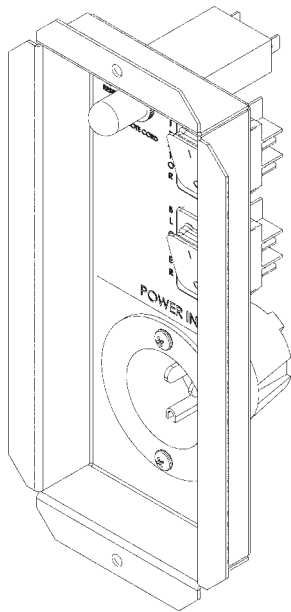


CYCLONE

Set-Up and Operation

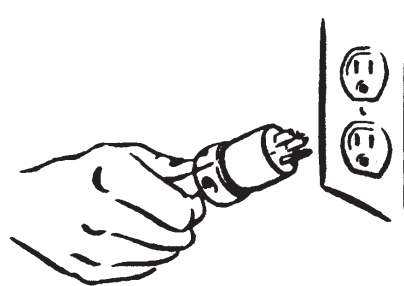
ELECTRICAL CONNECTIONS:

Before connecting the machine to electrical power, make sure all switches are in the “off” position. Connect the supplied extension cord to a dedicated 115/230 VAC 20 or 10 amp grounded outlet depending upon voltage. In the home, refrigerator or freezer outlets usually fit the amperage requirements. If necessary, these appliances can be temporarily unplugged, enabling the CYCLONE to use the outlet. Disconnecting these appliances for the short time needed to operate the CYCLONE will not cause spoilage. Remember to reconnect any unplugged appliance after the job is finished. If your job requires additional extension cords, make sure you use only a 14/3 cord for a 25 foot run or 12/3 cord for a 50 foot extension.



STARTING:

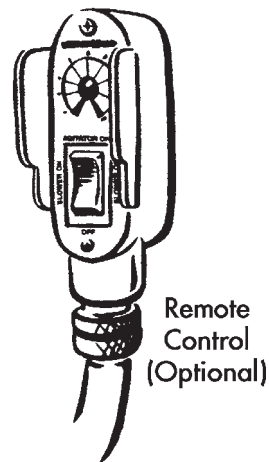
To operate the CYCLONE the rocker switch on the front panel must be switched to “on” position. Each switch will glow when motor(s) are switched to the “on” position. Operate the blower and agitator from the main electrical panel rocker switches.



REMOTE CONTROL (OPTIONAL):

Permanently attached to the main panel, the remote control cord allows the attic operator to control the on/off function of the machine. Both the agitator and the blower can be operated separately by the remote control.

OPERATION: To use the remote control feature for attic operation, the switches on the main panel must be “on”. This will allow the attic person to control the on/off function of the machine. **For Emergency stop**, depress switch to “off” position on electrical panel.



CYCLONE

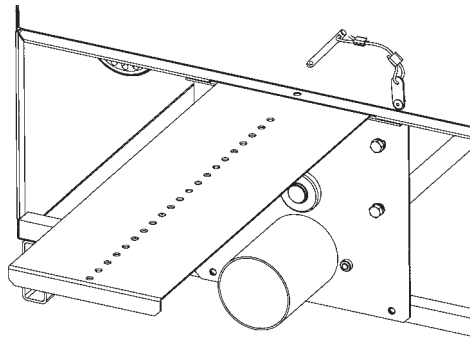
Set-Up and Operation

COLD WEATHER: In colder climates the CYCLONE may be hard to start in temperatures below 35° F. To assist in cold weather start up keep in warm area for at least one hour before using.

HOSE SETUP: For **cellulose** attic applications, two and a half inch hose produces the best results. Always use at least 100 feet of hose on the job. Longer hose length decreases both capacity and material throw. At 200 feet of hose, capacity and throw will be reduced by approximately 30%. If you must use a hose longer than 150 feet, reduce the hose size to two inch diameter. For **Fiberglass** attic applications, the two and a half inch hose produces the best results. Always use at least 150 feet of hose on the job. Longer hose length decreases both capacity and material throw. If you must use a hose longer than 150 feet, reduce the hose size to two inch diameter.

SLIDE GATE:

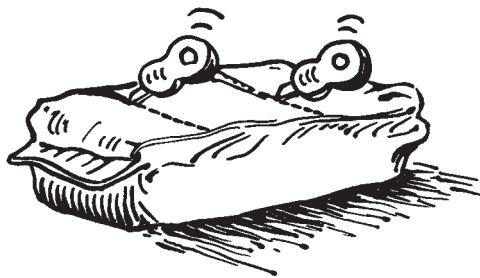
The slide gate regulates the amount of material entering the airlock. Pull slide gate out to increase material flow and in to decrease. The slide gate may be removed during operation.



CYCLONE

Set-Up and Operation

LOADING THE HOPPER: Machine may be “on” or “off” while loading. **Cellulose**, place the bag of insulation material into hopper, cut bag and break up material by hand and feed machine. **Fiberglass**, place the bag inside of the hopper, cut the bag in thirds and by hand break up the material and feed material into hopper. Dispense one third of the contents gradually until the agitator breaks up and conditions the material. Load the remainder of the material according to the distribution rate. Empty no more than 1/3 bag at a time into the hopper, until at least 1/4 of the material has been used before adding additional insulation. **Forcing insulation material will cause overloading, electrical failure or possible machine damage.**



Note: If the agitator stops or the circuit breaker on the electrical panel trips, **unplug the machine from electrical power.** Empty all the insulation material from hopper to locate and remove jam. After clearing, reset the circuit breaker, reconnect electrical power and continue normal operation.

CYCLONE

Set-Up and Operation

ATTIC OPERATION:

When blowing cellulose, use a minimum of 100 feet of 2.5 inch hose. For installing fiberglass, use a minimum of 150 feet of 2.5 inch hose.

NOTE: Effective blowing of insulation material into an attic requires a “lofting” technique, allowing the material to be thrown in a 6-8 foot arc. Lofting will result in more even coverage and efficient use of material.

BLOWING SIDEWALLS:

When blowing sidewalls use the following settings and recommendations as guidelines. Remember that settings may change from job to job, material to material, or nozzle to nozzle. Hose length and humidity may also affect results.

Two hole method, standard wall construction: 2” x 4” x 16” on center.

| Hole size | Slide gate opening | Air Setting |
|-----------|--------------------|-------------|
| 2” | 5-1/2” | 100% |
| 1” | 1-3/4” | 100% |
| 5/8” | 1-1/4” | 100% |

Keeping material levels nearly constant in the hopper will improve sidewall cavity densities. Maintaining the hopper level at approximately half full produces the most consistent results.

A gradual transition in hose size will help ensure the material flows evenly through the nozzle. At the machine, use 50 feet of 2-1/2 inch hose. Next, connect 50 or 100 feet of 2 inch hose using the 2-1/2 to 2 inch reducer, secured by the hose clamps provided. Attach the desired wall nozzle. The maximum length of hose that should be used with the CYCLONE is 200 feet.

CYCLONE

Set-Up and Operation

If clogging or less than satisfactory compaction occurs, adjust the slide gate inward by 1/2 inch increments until the situation clears. If the problem doesn't clear, add an additional 50 feet of 2 inch hose and readjust your machine settings.

Insert the insulation nozzle into the lower hole of the wall cavity. Turn blower switch "on" first, then the agitator. When the sidewall is full, the CYCLONE blower will rev up, trying to work harder and material flow may stop. Turning "off" first the agitator, then the blower keeps the material from clogging the outlet hose.

Allow the blower to completely stop before removing the nozzle from the hole. Repeat the procedure using top hole until wall cavity is full.

Caution: If you are inexperienced with blowing sidewalls you may loosen or blow off sheetrock, or you may accidentally fill areas such as closets.

CYCLONE

Generators and Extension Cords

The CYCLONE will operate on power from a commercial-sized generator. No household generators should be used due to the high inrush requirements of the CYCLONE. Also, generators made by Honda, Yamaha, Coleman and Generac are not recommended. While they are of high quality, these generators do not have the inrush protection devices necessary to start the CYCLONE and protect the generator. The start-up requirement for a CYCLONE is 3450 watts; normal operating requirement is 1725 watts. We recommend a generator of not less than 4000 watts, 115 VAC. In addition, Intec recommends generators that have a 50% power boost feature which aids the generator in high current startups.

Running additional equipment from the same generator will increase the total electrical requirements. Before selecting the correct size of generator, add all tool wattages up including the CYCLONE. For details on selecting and purchasing a generator, please call INTEC.

Note: Using a generator of insufficient size will void the Warranty.

ADDING ADDITIONAL POWER CORDS.

Cord Current Capacities, Type S & SVT

| Wire Size AWG | 3 Conductor AMPS |
|--------------------------|-----------------------------|
| 10 | 25 |
| 12 | 20 |
| 14 | 15 |
| 16 | 10 |
| 18 | 7 |

CYCLONE

Maintenance

Reasonable preventive maintenance will help ensure your CYCLONE gives you many years of satisfactory use. Cleaning the interior and exterior of your machine and protecting its finish with a carnuba wax will keep it looking new.

CORDS AND SWITCHES

The remote cord and switches are subject to considerable wear and tear during normal use. Inspect all cords and switches each week for cuts or loose connections. Repair or replace any damaged components at once to avoid possible injury.

AIRLOCK BLOW BACK

Airlock seals are the most important component of keeping the CYCLONE running in original condition. Airlock seals function much like the rings in a car engine, keeping pressure and air from escaping. When a seal or plate is damaged, air from the blower will escape back into the hopper causing “blow back.” Blow back will result in a considerable decrease in production.

CHECKING FOR BLOW BACK

Unplug the machine from electrical power and empty all insulation material from the hopper. Block the hose outlet with duct tape, or use the palm of your hand. Reconnect the power and turn on both the blower and agitator motor. A hissing or puffing sound of air escaping into the hopper indicates blow back. In addition, any insulation material remaining in the airlock will blow back into the hopper, creating dust. To remedy blow back, it is necessary to replace the airlock seals.

Note: Your CYCLONE comes from the factory preset to produce 2.5-3.0 PSI.

CYCLONE

Maintenance

AIRLOCK SEALS: Disconnect the CYCLONE from electrical power and empty all insulation material from the hopper. Seal replacement requires a 7/16" socket and ratchet, 6" socket extension 7/16" open-end wrench, 1/8" & 3/16" Allen wrench, crow bar and #2 phillips screwdriver. With the machine in an upright position, remove the cover panel to gain access to the chain and sprockets. Loosen and remove sheet metal screw on chain tensioner, remove chain. Using 1/8 Allen wrench, loosen set screw on airlock sprocket. At outlet end plate (where insulation hose attaches to machine) locate the six 1/4" bolts holding the end plate to airlock. Remove the additional two socket cap screws using the 3/16" Allen wrench. Remove end plate from machine. **Note: Silicone is used to seal the end plate and airlock connection you may need to score the silicone seal before removing end plate.** Using crow bar, wedge the crow bar between airlock rotor and Inlet end plate, pry airlock rotor out of airlock. **Note: It may be helpful to spray a light coat of WD-40 or equivalent inside the airlock chamber to aid in the removal of airlock rotor.**

At this point the airlock rotor should be removed. Remove worn seals from the airlock rotor and install new seal, **do not over tighten seals.** Over tightening will cause the seals to bow out at the ends producing uneven wear and premature failure. Center the seal on shaft so that there is equal wrap at each end of the seal.

Before re-installing airlock rotor, spray entire airlock with WD-40 or equivalent. Re-attach and tighten outlet end plate to airlock and re-seal end plate to airlock. **Note: Re-installing airlock rotor into airlock may be difficult with new seals, see mechanical drawings section for drawing and part numbers.**

MOTOR/GEARBOX: **Note:** At cold temperatures below 35 F., oil thickens and will cause machine to start up hard. To prevent hard startup, leave machine in warm area overnight (8 hours).

The gearbox and the airlock should be perpendicular to each other. Proper alignment helps prevent premature wear on the chain drive components. **The gearbox is permanently sealed, no oil change is needed.**

CYCLONE

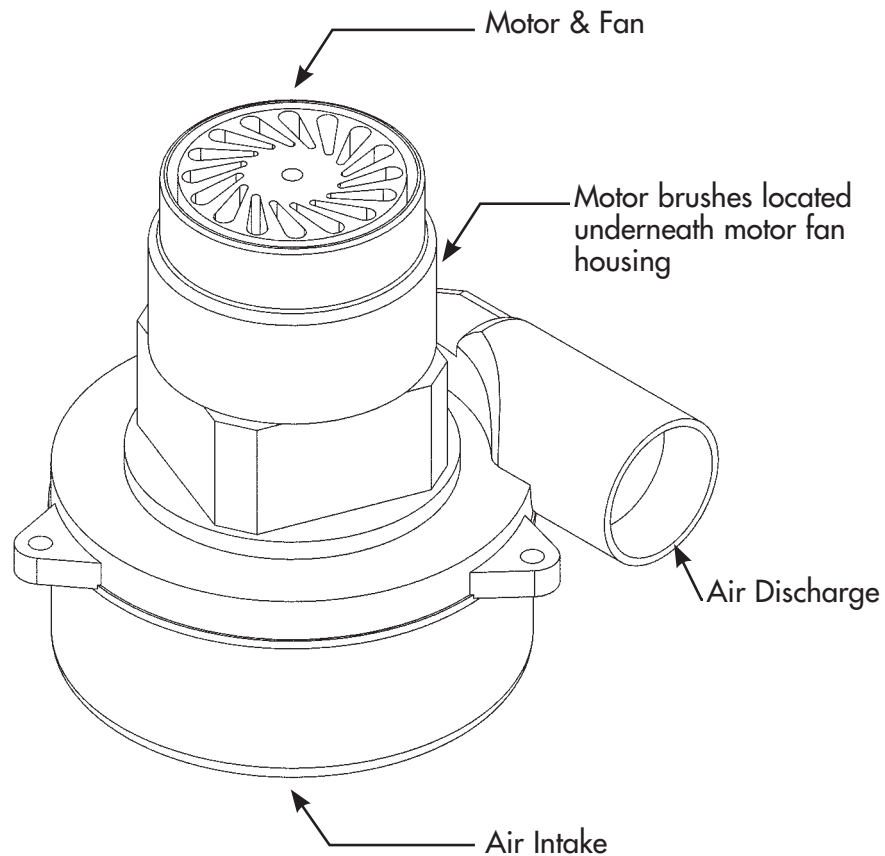
Maintenance

BLOWER(S) MAINTENANCE

Keeping the blower as clean as possible will avoid system overheating. Overheating will cause lowered production, possible system failure and shorten the expected life of your CYCLONE. Inspect blower brushes every three months or 100 hours of use. Replace brushes when they reach 1/4 inch or less in length. Change the brushes before the brush stunt touches the commutator. When reassembling, the lead wires must be isolated from the motor frame and any rotating parts.

CLEANING

Use compressed air to blow out motor and intake of blower every 20-30 hours of use to maximize blower impeller and motor life. (See below)



CYCLONE

Troubleshooting

| Problem | Likely Cause | Remedy |
|--|---|--|
| Agitator does not operate. | Power cord not plugged in. | Check cord and plug in. |
| | Loose power cord/extension cord at electrical connection. | Check condition of electrical plug blades. |
| | Toggle switch for agitator is not in "on" position. | Flip toggle switch "on" at main panel. |
| | Circuit breaker tripped on main panel. | Push to reset tripped circuit breaker. |
| | Jam in airlock exit tube. | Disconnect electrical power. Remove hose from the exit tube. Locate jam and remove material with pliers. |
| | Jam between blade of agitator and airlock. | Disconnect electrical power. Remove insulation material from hopper. Locate jam and remove material with pliers. |
| | Seized agitator bearing. | Have bearing replaced by a qualified technician. |
| | Main panel rocker switch for agitator motor has failed. | Replace with original factory part or with a rated 20 amp @ 110V switch. |
| Machine makes a ratcheting noise when turned on. | Loose wire in electrical system. | Have the system inspected by a qualified technician. |
| | Chain loose not engaged with sprockets. | Adjust chain tensioner or re-align chain & sprockets. |

CYCLONE

Troubleshooting

| Problem | Likely Cause | Remedy |
|--|--|--|
| Decreased material throw. | Worn airlock seals. | Inspect seals for tears or cuts. |
| | Kink in hose. | Run hose as straight as possible to help maintain production. |
| | Excess air leaking into hopper. | Inspect seals for tears or cuts. See maintenance section to replace or adjust as necessary. |
| Machine does not run. | No power. | Check source of electrical power. Possible tripped circuit breaker. |
| | Main panel circuit breaker tripped. | Push to reset. |
| Air, but no material, comes out of hose. | Slide gate closed. | Open to operating position. |
| | Bridging (air pocket in hopper). | Turn machine "off" and disconnect from electrical power. Redistribute material in hopper. Reconnect to electrical power. |
| | Circuit breaker tripped on main panel. | Push to reset. |
| | Jam between blade of agitator and airlock. | Disconnect electrical power. Remove insulation material from hopper. Locate jam and remove material with pliers. |
| Blower does not operate. | Blower rocker switch may be worn or defective. | Check wiring, replace rocker switch using Factory original part. |

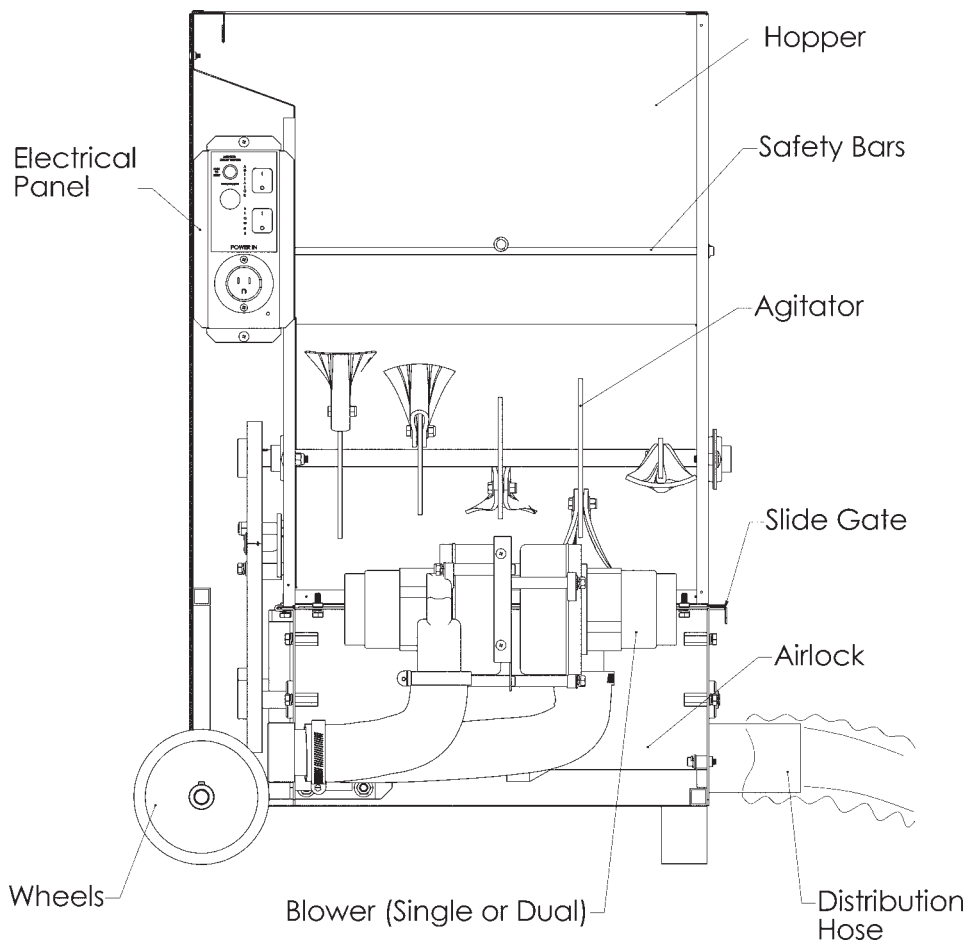
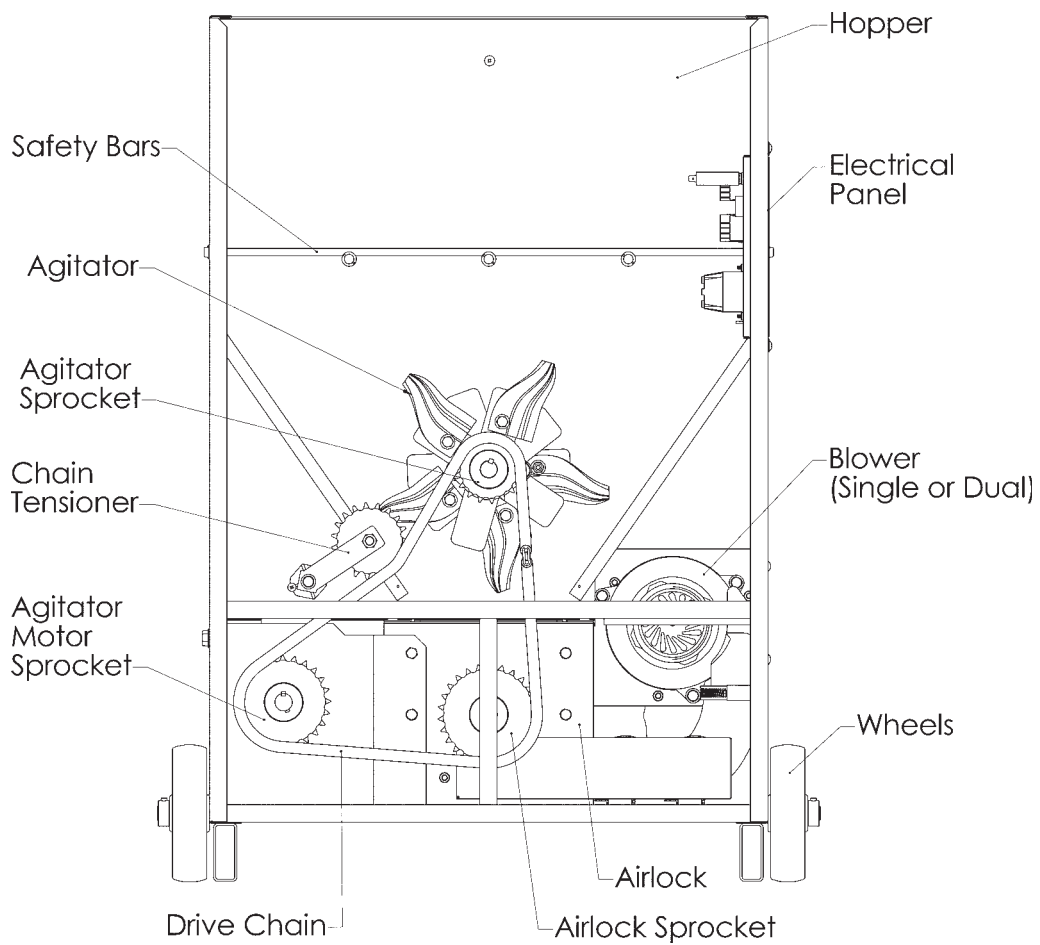
CYCLONE

Troubleshooting

| Problem | Likely Cause | Remedy |
|---------------------------------|---|--|
| | Loose power cord/extension cord at electrical system. | Check condition of electrical plug blades. |
| | Loose wire in electrical system. | Have the system inspected and repaired by a qualified technician. |
| | Worn brushes in blower motor. | Have the brushes inspected and replaced by a qualified technician. |
| Agitator trips circuit breaker. | Low voltage. | CYCLONE requires a minimum of 20 amps @ 115V. Relocate power cord to a dedicated 20 amp circuit. |
| | Incorrect size extension cord. | For an additional 25' run, use 14/3 cord. For a 50' run use 12/3 cord. |
| | Pushing down on material in hopper. | Do not push down on insulation while filling hopper. |
| | Wet insulation material in hopper. | Do not use wet material. Disconnect electrical power and remove wet material. |
| | Worn or frozen airlock bearing. | Have bearing checked and replaced by a qualified technician. |
| | Blower trips circuit breaker at power source. | Low voltage. |

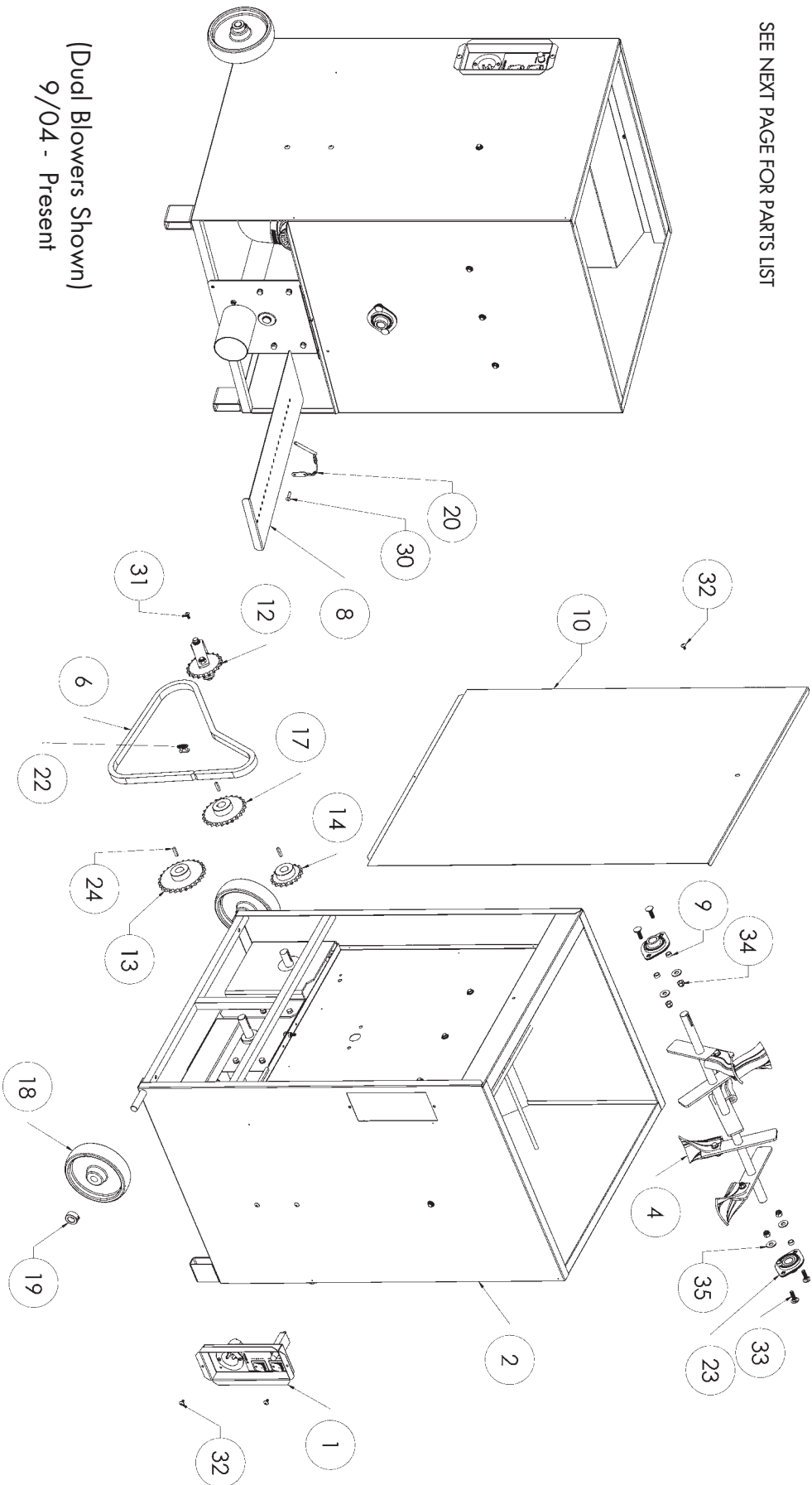
CYCLONE*Troubleshooting*

| Problem | Likely Cause | Remedy |
|--|-------------------------------------|---|
| | Incorrect extension cord. | For an additional 25' run, use 14/3 cord. For a 50' run use 12/3 cord. |
| Operator in attic keeps getting shocked. | Static electricity from insulation. | Mix half-and-half solution of water and fabric softener. Mist into insulation while loading hopper. Note: excess moisture will cause jamming. |

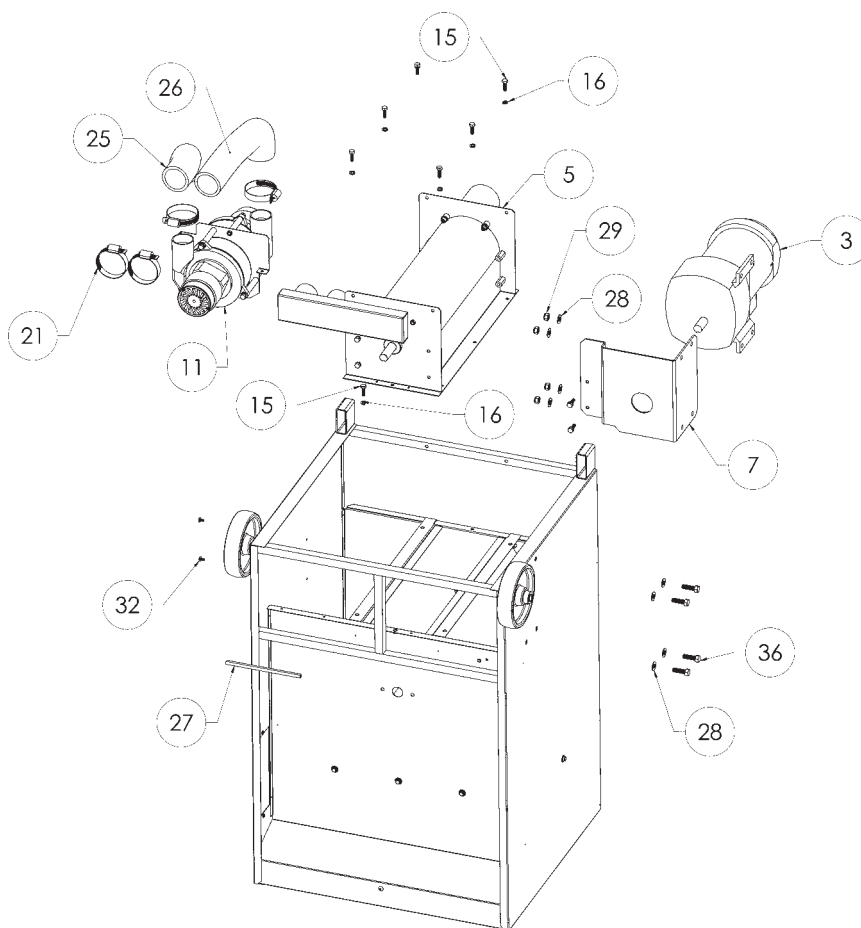


MECHANICAL DRAWINGS

SEE NEXT PAGE FOR PARTS LIST

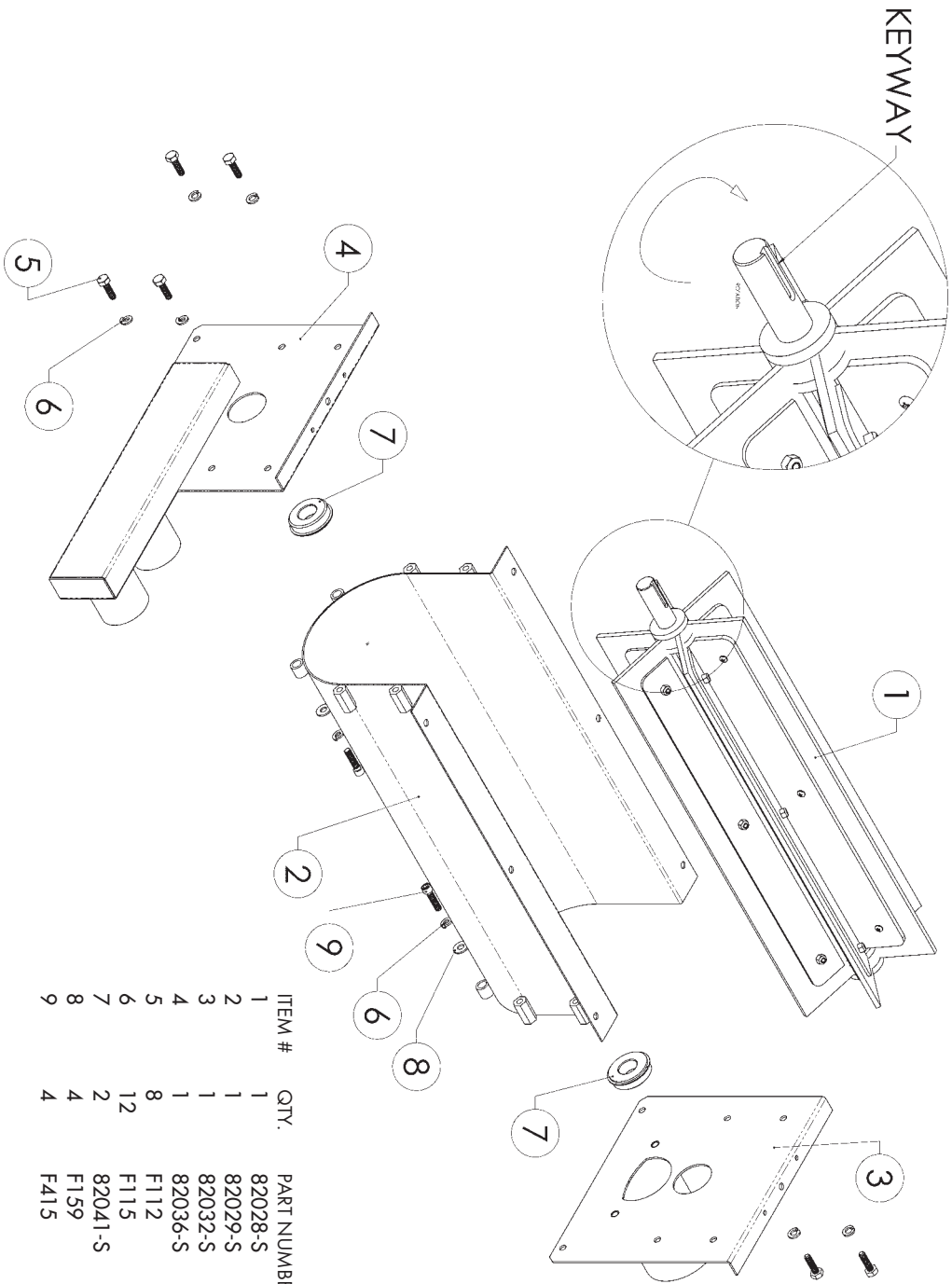


(Dual Blowers Shown)
9/04 - Present



| ITEM # | QTY. | PART NUMBER | DESCRIPTION |
|--------|------|--------------|--|
| 1 | 1 | 81000-S | ELECTRICAL PANEL ASSEMBLY, STD. 115 VAC |
| 2 | 1 | 82000-S | HOPPER |
| 3 | 1 | 82018-S | AGITATOR MOTOR ASSEMBLY |
| 4 | 1 | 82019-S | AGITATOR WITH PADDLES, ASSEMBLY |
| 5 | 1 | 82023-01-S | AIRLOCK, 3" |
| 6 | 1 | 82023 | AGITATOR CHAIN #40, 87 PITCH |
| 7 | 1 | 82043 | AGITATOR MOTOR PLATE |
| 8 | 1 | 82044 | SLIDE GATE |
| 9 | 4 | 82045 | AGITATOR BEARING SPACER |
| 10 | 1 | 82046 | ACCESS PANEL |
| 11 | 1 | 82047-01-S | BLOWER ASSEMBLY, DUAL |
| 12 | 1 | 82051-S | CHAIN TENSIONER ASSEMBLY |
| 13 | 1 | 82051 | AIRLOCK SPROCKET #40 x 26 T, 3/4 BORE |
| 14 | 1 | 82052 | AGITATOR SPROCKET #40 x 17 T, 3/4 BORE |
| 15 | 7 | F112 | 1/4*20 x 7/8 GRD 5 HEX BOLT, ZN. |
| 16 | 7 | F115 | 1/4 SPLIT LOCK WASHER, ZN. |
| 17 | 1 | 82053 | AGITATOR MOTOR SPROCKET #40 x 24 T, 3/4 BORE |
| 18 | 2 | 12190 | WHEEL 5/8 x 6 |
| 19 | 2 | 12190-02 | WHEEL COLLAR 5/8" |
| 20 | 1 | 22000-04 | SLIDE GATE CABLE & PIN |
| 21 | 4 | 22049-05 | HOSE CLAMP 2" |
| 22 | 1 | 0523-0500-00 | CHAIN MASTER LINK #40 |
| 23 | 2 | 0524-0600-00 | AGITATOR BEARING SPACER |
| 24 | 3 | 0524-1400-00 | KEY 3/16 x 7/8 |
| 25 | 1 | 8260-01 | HOSE 2", BLACK, 9" LONG |
| 26 | 1 | 82060 | HOSE 2", BLACK, 15" LONG |
| 27 | 1 | 82061 | TRIM PVC. BLACK 7" IN |
| 28 | 8 | F108 | 3/8 FLAT WASHER SAE |
| 29 | 4 | F109 | 3/8 x 16 NYLON LOCK NUT |
| 30 | 1 | F130 | 3/16 x 11/16 RIVET |
| 31 | 1 | F141 | #8*32 x 1/2 PP, 2N. |
| 32 | C | F224 | #10*32 x 3/8 PHIL TRUSS S/S |
| 33 | 4 | F317 | 5/16 x 1 CARRIAGE BOLT |
| 34 | 4 | F318 | 5/16*18 NYLON LOCK NUT |
| 35 | 4 | F319 | 5/16 USS FLAT WASHER |
| 36 | 4 | F330 | 3/8*16 x 1-1/4 HEX BOLT. ZN |

MECHANICAL DRAWINGS

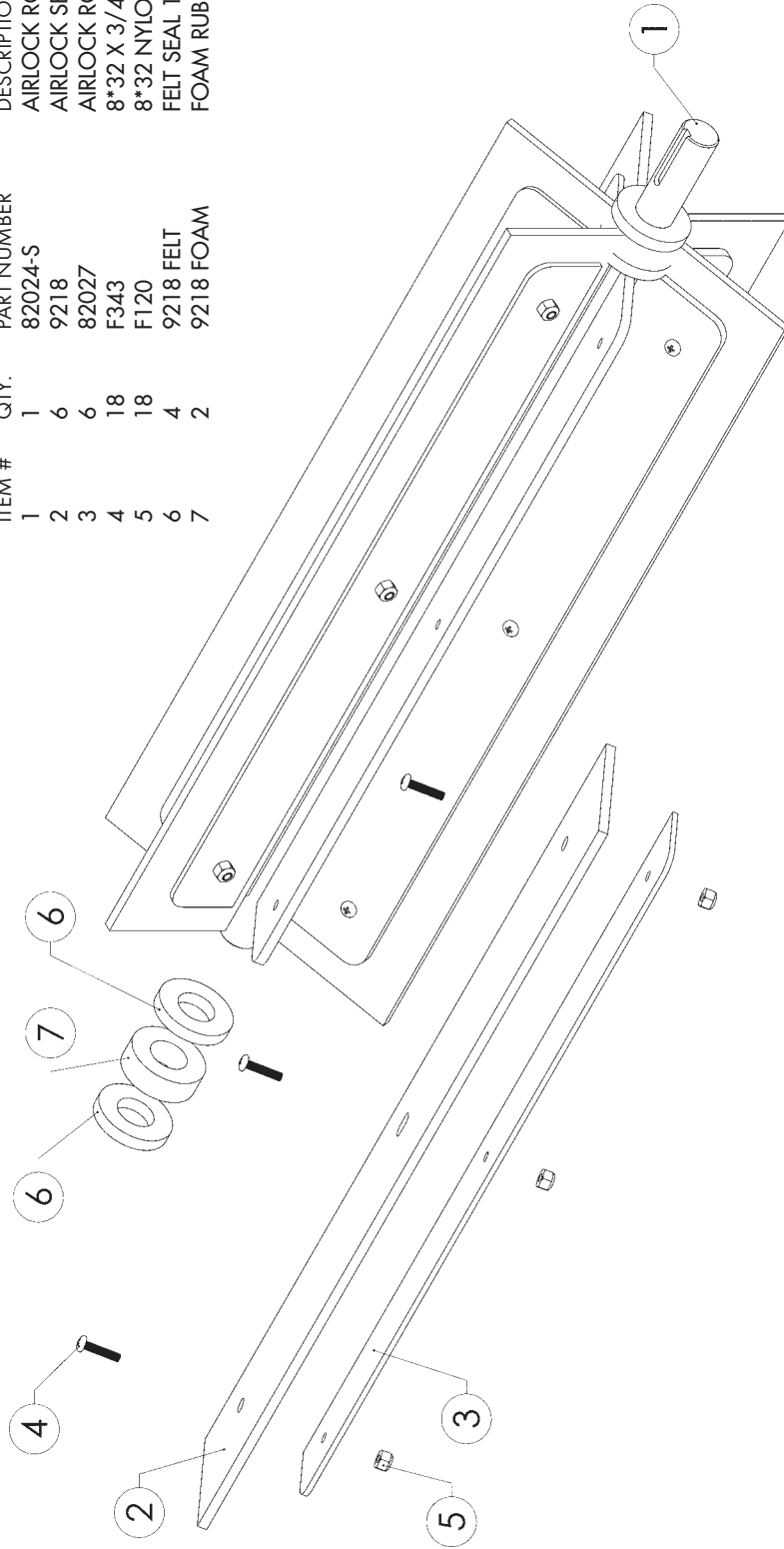


| ITEM # | QTY. | PART NUMBER | DESCRIPTION |
|--------|------|-------------|--------------------------------|
| 1 | 1 | 82028-S | AIRLOCK ROTOR ASSM. W/SEALS |
| 2 | 1 | 82029-S | AIRLOCK TUBE |
| 3 | 1 | 82032-S | INLET PLATE 2" |
| 4 | 1 | 82036-S | 1/4*20 X 7/8 HEX CAP SCREW |
| 5 | 8 | F112 | 1/4 X 20 X 7/8" GRD 5 HEX, ZN |
| 6 | 12 | F115 | 1/4 SPLIT LOCK WASHER, ZN |
| 7 | 2 | 82041-S | AIRLOCK BEARING WITH SNAP RING |
| 8 | 4 | F159 | 1/4 FLAT WASHER, ZN |
| 9 | 4 | F415 | 1/4*20 X 1 SOCKET CAP SCREW |

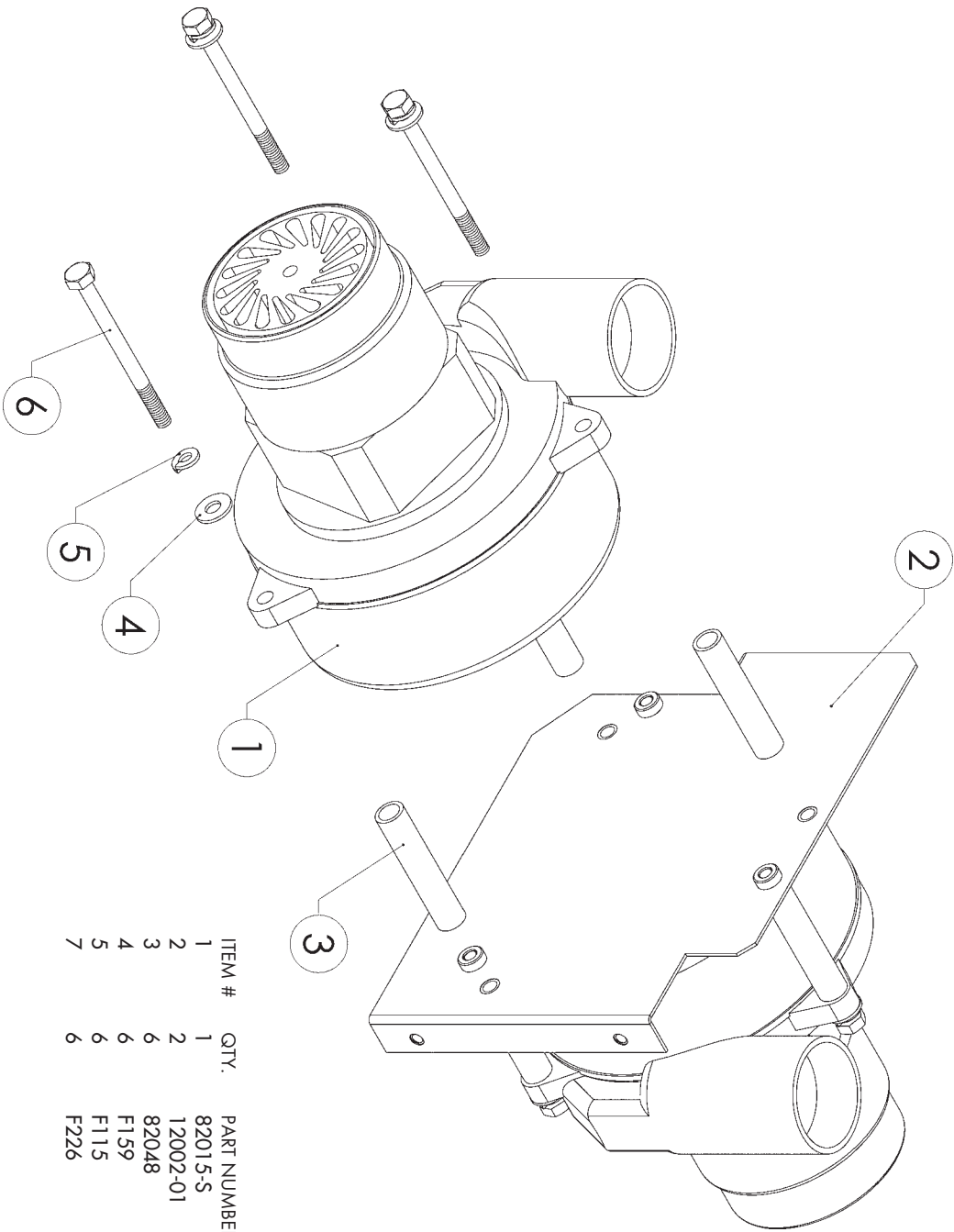
Airlock Assm.
9/04 - Present

Airlock Rotor Assm.
9/04 - Present

| ITEM # | QTY. | PART NUMBER | DESCRIPTION |
|--------|------|-------------|------------------------------|
| 1 | 1 | 82024-S | AIRLOCK ROTOR WELDMENT |
| 2 | 6 | 9218 | AIRLOCK SEAL, 18" |
| 3 | 6 | 82027 | AIRLOCK ROTOR PLATE, BACK |
| 4 | 18 | F343 | 8*32 X 3/4" PHIL PAN M/S, ZN |
| 5 | 18 | F120 | 8*32 NYLON LOCK INSERT NUT |
| 6 | 4 | 9218 FELT | FELT SEAL 1-1/2" |
| 7 | 2 | 9218 FOAM | FOAM RUBBER SEAL 1-1/2" |

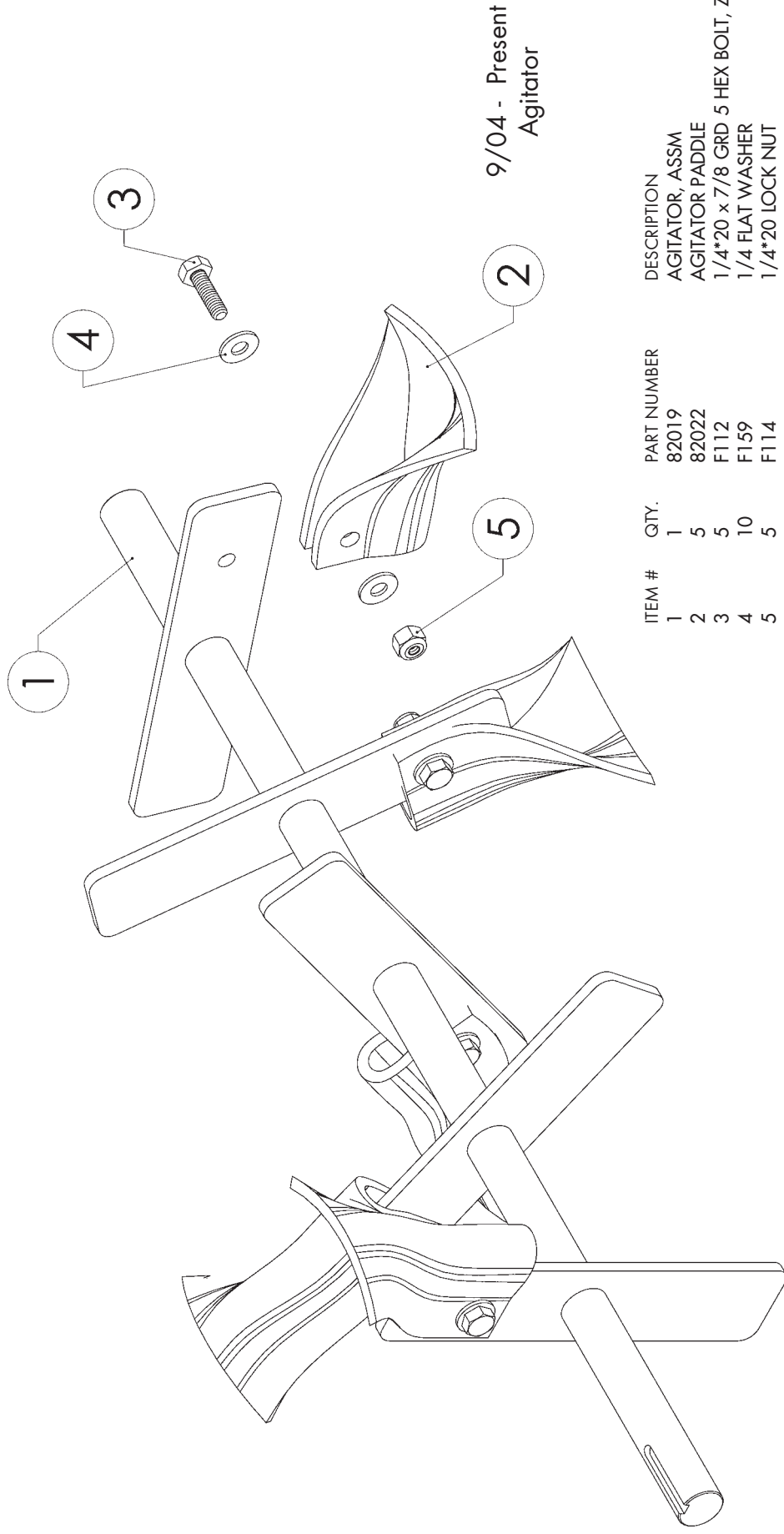


MECHANICAL DRAWINGS



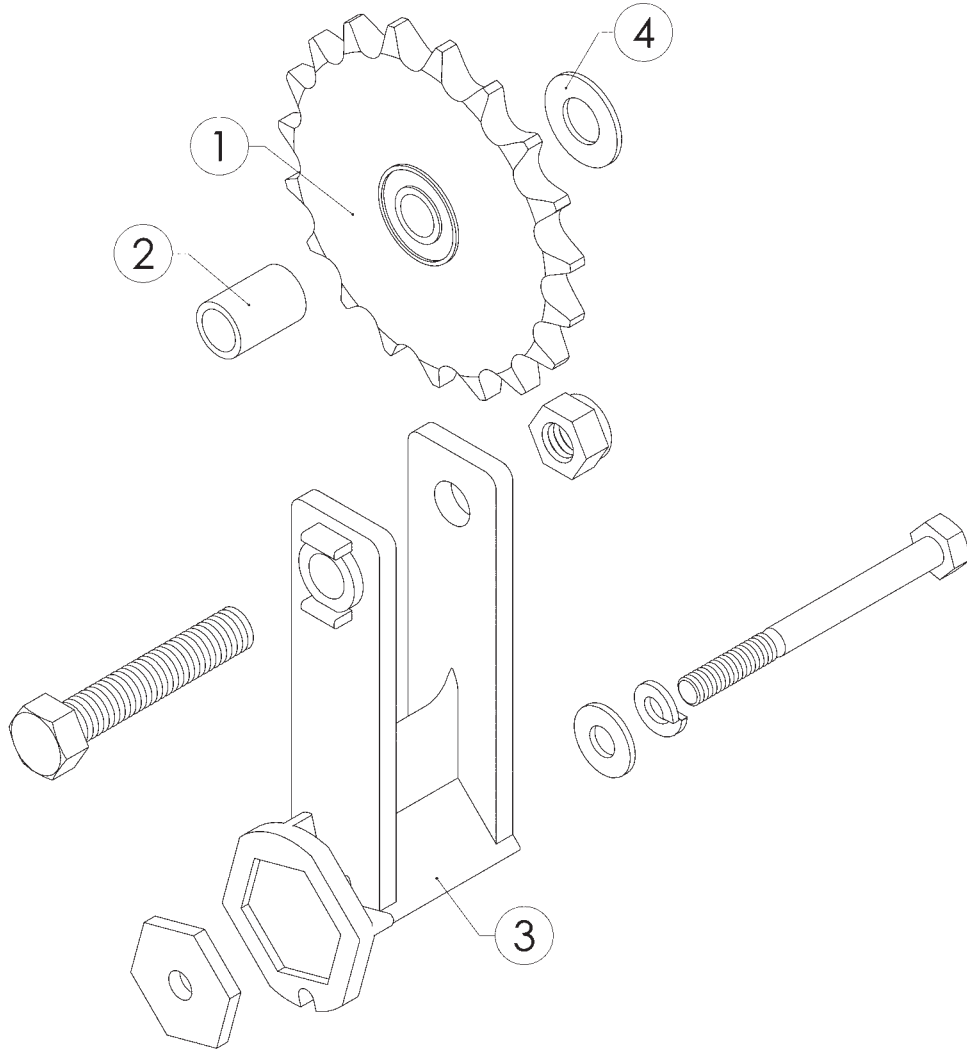
9/04 - Present
Blower(s)
(Dual Blower Shown)

| ITEM # | QTY. | PART NUMBER | DESCRIPTION |
|--------|------|-------------|----------------------------------|
| 1 | 1 | 82015-S | BLOWER BRACKET |
| 2 | 2 | 12002-01 | BLOWER 104 CFM, 115 VAC 50/60 HZ |
| 3 | 6 | 82048 | BLOWER STAND-OFF |
| 4 | 6 | F159 | 1/4" FLAT WASHER, ZN |
| 5 | 6 | F115 | 1/4" SPLIT LOCK WASHER, ZN |
| 7 | 6 | F226 | 1/4*20 x 3-1/2" HEX BOLT, ZN |



9/04 - Present
Agitator

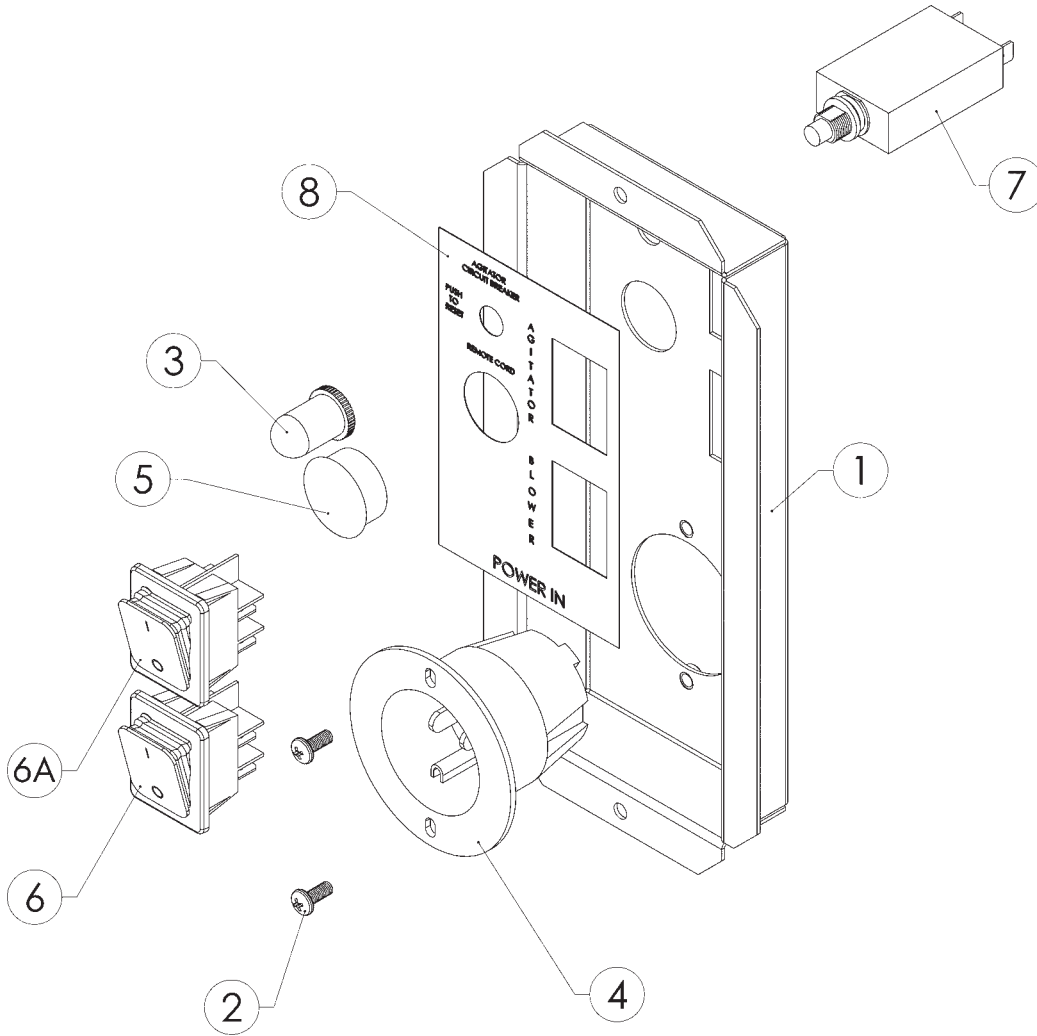
| ITEM # | QTY. | PART NUMBER | DESCRIPTION |
|--------|------|-------------|---------------------------------|
| 1 | 1 | 82019 | AGITATOR, ASSM |
| 2 | 5 | 82022 | AGITATOR PADDLE |
| 3 | 5 | F112 | 1/4*20 x 7/8 GRD 5 HEX BOLT, ZN |
| 4 | 10 | F159 | 1/4 FLAT WASHER |
| 5 | 5 | F114 | 1/4*20 LOCK NUT |



9/04 - Present
Chain Tensioner

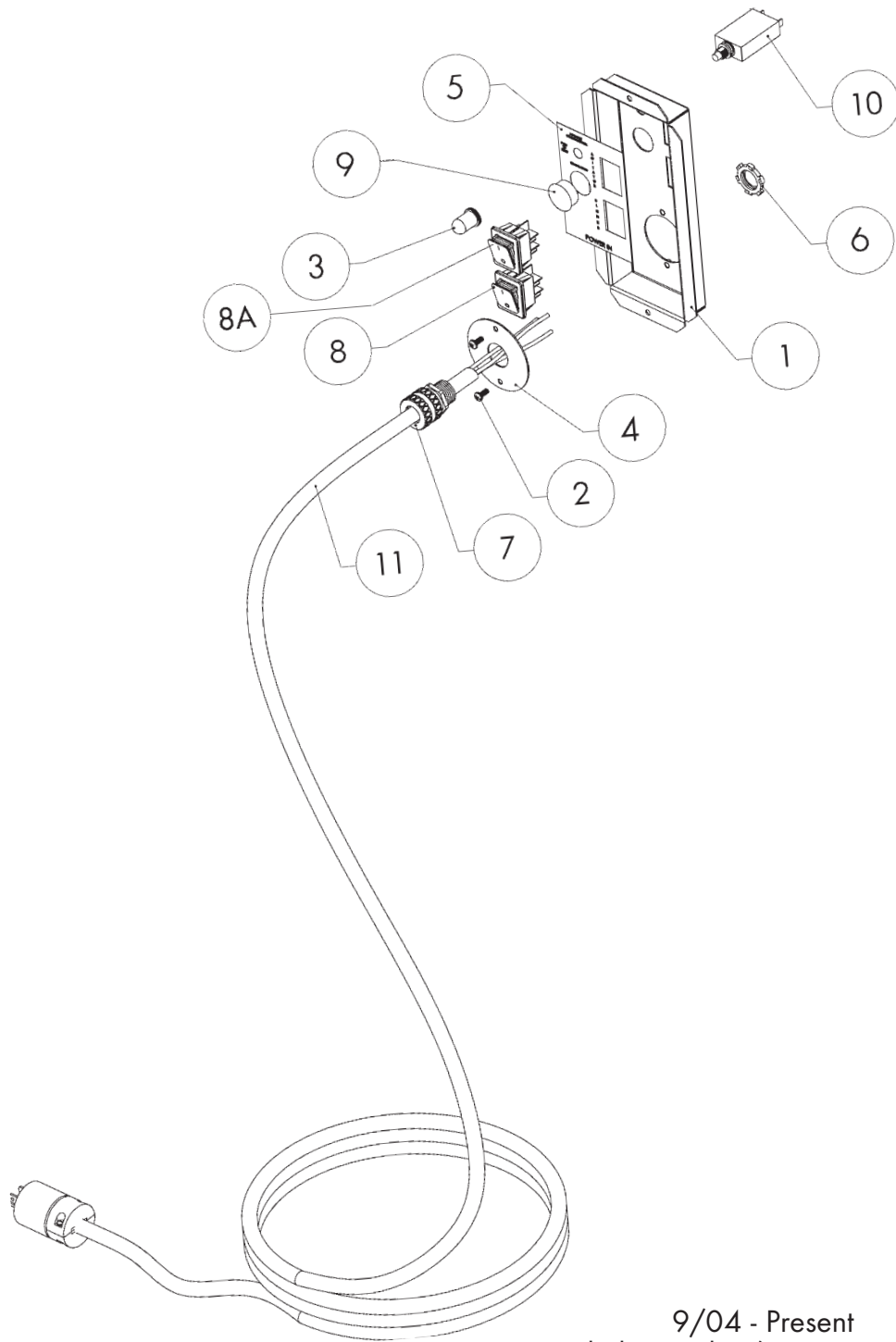
| ITEM # | QTY. | PART NUMBER | DESCRIPTION |
|--------|------|--------------|-----------------------------------|
| 1 | 1 | 0524-0701-00 | CHAIN TENSIONER SPROCKET #40X19 T |
| 2 | 1 | 82047 | CHAIN TENSIONER SPACER |
| 3 | 1 | 0524-0700-00 | CHAIN TENSIONER BRACKET |
| 4 | 1 | F108 | 3/8" FLAT WASHER, ZN |

NOTE: ITEM THREE INCLUDES ALL HARDWARE FOR ASSEMBLY



9/04 - Present
 Standard Electrical 110 VAC

| ITEM # | QTY. | PART NUMBER | DESCRIPTION |
|--------|------|-------------|------------------------------------|
| 1 | 1 | 81001-S | ELECTRICAL PANEL |
| 2 | 2 | F119 | #8* 32-3/8" PP, ZN |
| 3 | 1 | 21045-02 | CIRCUIT BREAKER BUTTON SEAL |
| 4 | 1 | 21011 | ELECTRICAL FLANGE RECEPTACLE |
| 5 | 1 | 81008 | PLUG 7/8" |
| 6 | 1 | 81007 | ROCKER SWITCH GREEN |
| 6A | 1 | 81007-01 | ROCKER SWITCH RED |
| 7 | 1 | 81004 | CIRCUIT BREAKER 10 A |
| 8 | 1 | 81003 | ELECTRICAL PANEL STICKER (ENGLISH) |

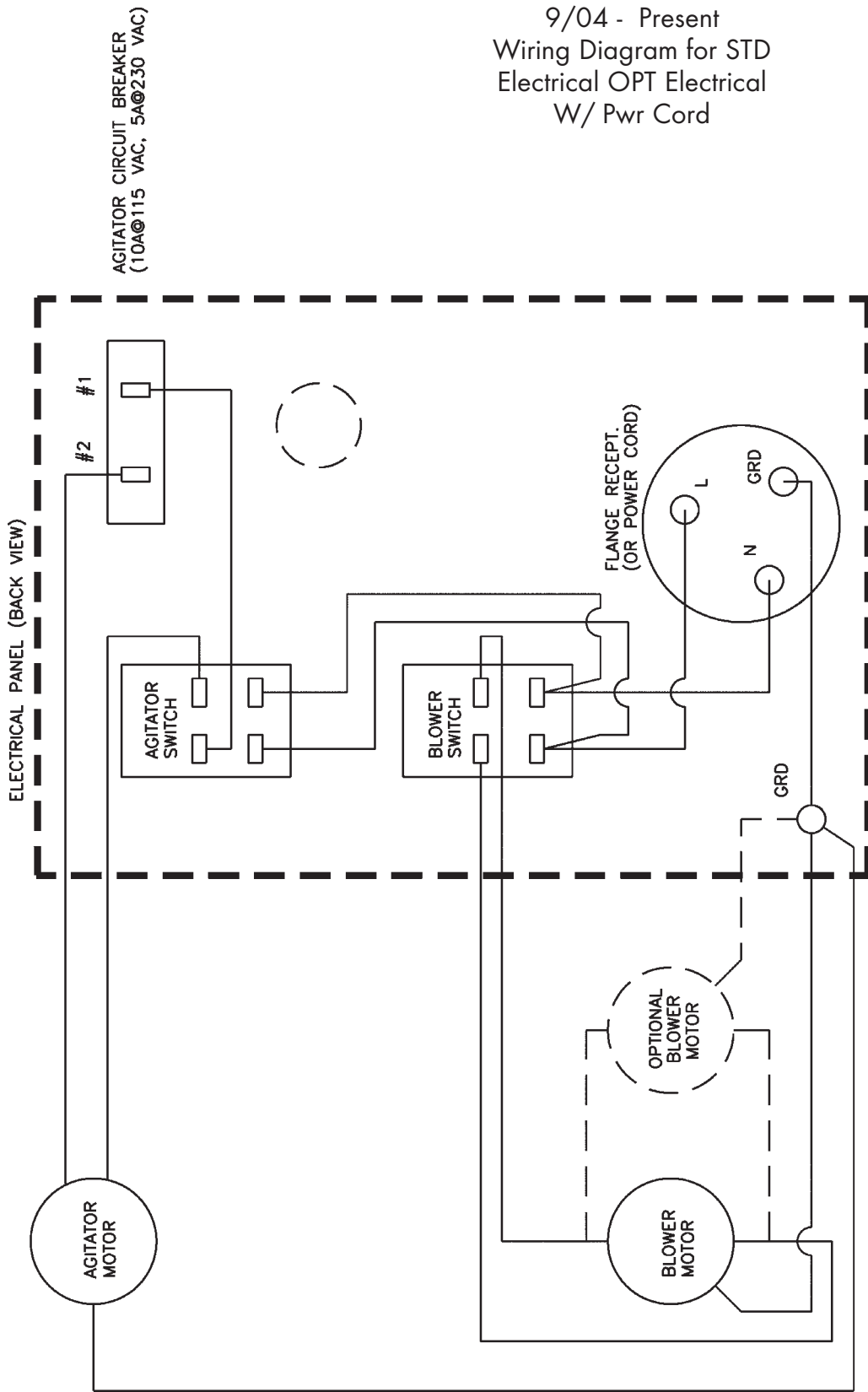


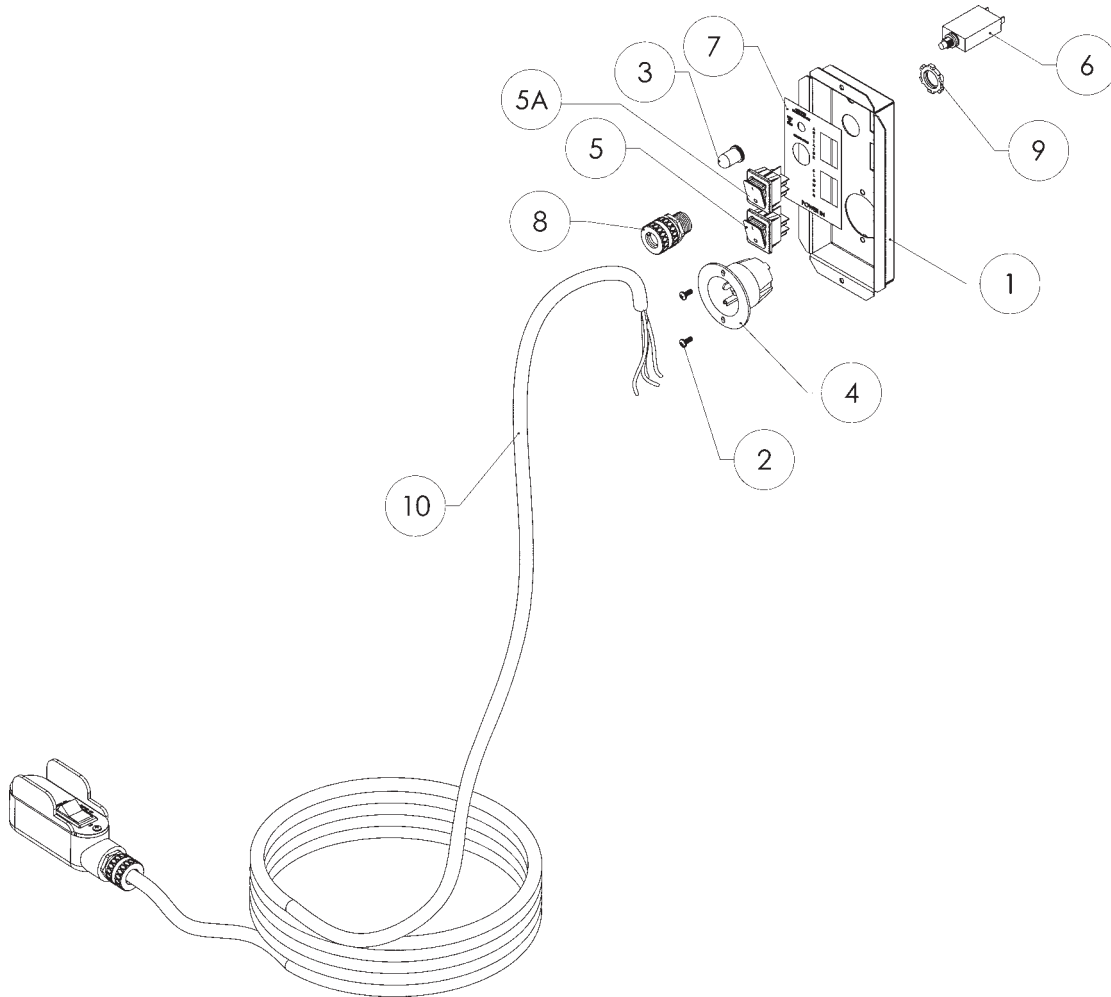
9/04 - Present
 Std Electrical w/power cord 115
 VAC

| ITEM # | QTY. | PART NUMBER | DESCRIPTION |
|--------|------|-------------|------------------------------------|
| 1 | 1 | 81001-S | ELECTRICAL PANEL |
| 2 | 2 | F119 | #8* 32-3/8" PP, ZN |
| 3 | 1 | 21045-02 | CIRCUIT BREAKER BUTTON SEAL |
| 4 | 1 | 81002 | RECEPTACLE COVER PLATE |
| 5 | 1 | 81003 | ELECTRICAL PANEL STICKER (ENGLISH) |
| 6 | 1 | F132 | STRAIN RELIEF LOCK NUT, 1/2" |
| 7 | 1 | 21008-02 | STRAIN RELIEF ALUMINUM, 1/2" |
| 8 | 1 | 81007 | ROCKER SWITCH GREEN |
| 8A | 1 | 81007-01 | ROCKER SWITCH RED |
| 9 | 1 | 81008 | PLUG 7/8" |
| 10 | 2 | 81007 | CIRCUIT BREAKER 10A |
| 11 | 1 | 81009-S | POWER CORD ASSM, 25 FT |

ELECTRICAL DRAWINGS

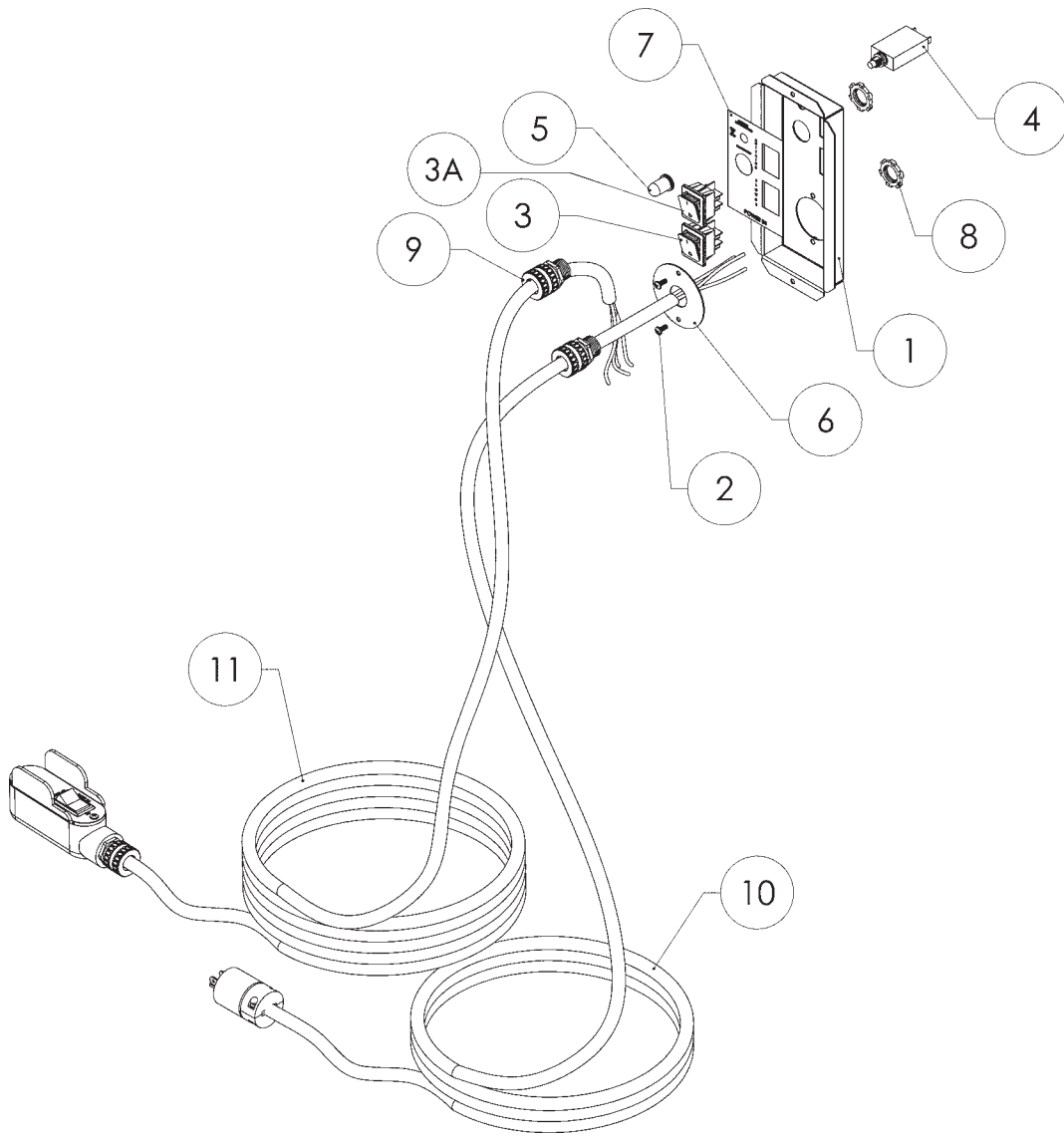
9/04 - Present
Wiring Diagram for STD
Electrical OPT Electrical
W/ Pwr Cord





9/04 - Present
 (Optional) Electrical W/ Remote
 Cord 110 VAC

| ITEM # | QTY. | PART NUMBER | DESCRIPTION |
|--------|------|-------------|------------------------------------|
| 1 | 1 | 81001-S | ELECTRICAL PANEL W/FASTENERS |
| 2 | 2 | F119 | #8* 32-3/8" PP, ZN |
| 3 | 1 | 21045-02 | CIRCUIS BREAKER BUTTON SEAL |
| 4 | 1 | 21011 | ELECTRICAL FLANGE RECEPTACLE |
| 5 | 1 | 81007 | ROCKER SWITCH, GREEN |
| 5A | 1 | 81007-01 | ROCKER SWITCH, RED |
| 6 | 1 | 81004 | CIRCUIT BREAKER 10 A |
| 7 | 1 | 81003 | ELECTRICAL PANEL STICKER (ENGLISH) |
| 8 | 1 | 21008-02 | STRAIN RELIEF ALUMINUM, 1/2" |
| 9 | 1 | F132 | STRAIN RELIEF LOCK NUT, 1/2" |
| 10 | 1 | K11081-S | REMOTE CORD ASSM, 100 FEET |

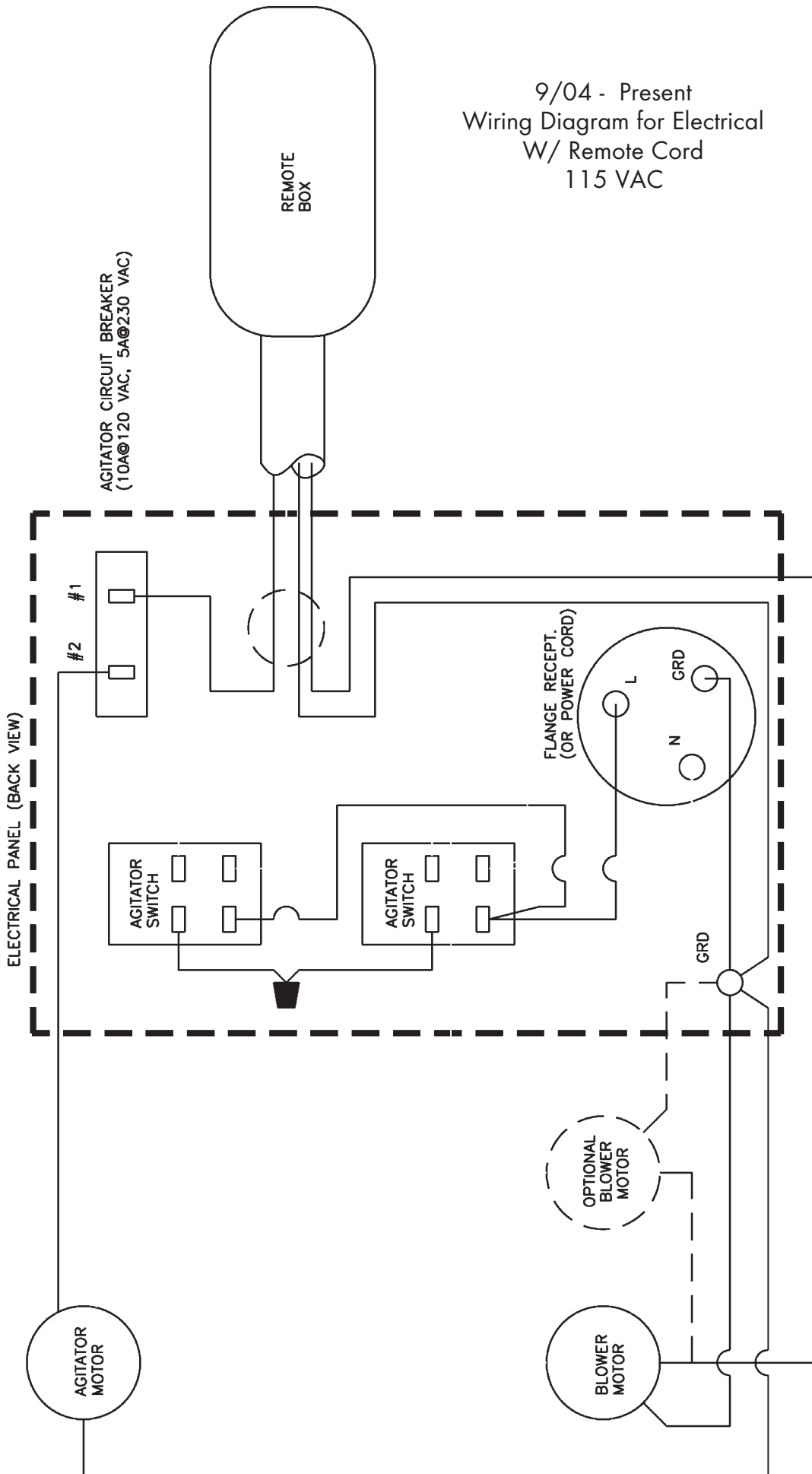


9/04 - Present
 (Optional) Electrical
 W/ Power Cord & Remote
 115 VAC

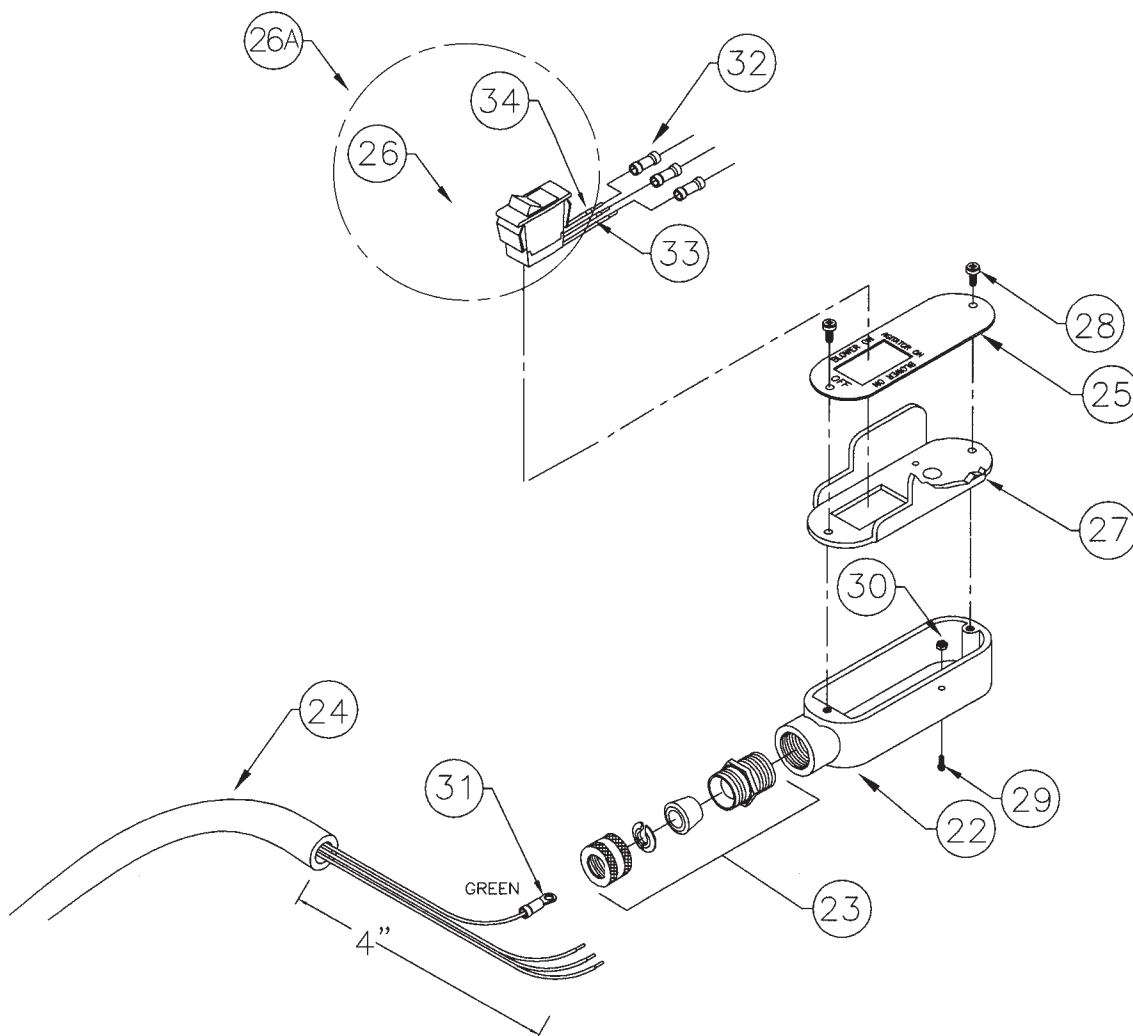
| ITEM # | QTY. | PART NUMBER | DESCRIPTION |
|--------|------|-------------|------------------------------------|
| 1 | 1 | 81001-S | ELECTRICAL PANEL W/FASTENERS |
| 2 | 2 | F119 | #8* 32-3/8" PP, ZN |
| 3 | 1 | 81007 | ROCKER SWITCH, GREEN |
| 3A | 1 | 81007-01 | ROCKER SWITCH, RED |
| 4 | 1 | 81004 | CIRCUIT BREAKER 10 A |
| 5 | 1 | 21045-02 | CIRCUIT BREAKER BUTTON SEAL |
| 6 | 1 | 81002 | RECEPTACLE COVER PLATE |
| 7 | 1 | 81003 | ELECTRICAL PANEL STICKER (ENGLISH) |
| 8 | 2 | F132 | STRAIN RELIEF LOCK NUT, 1/2" |
| 9 | 2 | 21008-02 | STRAIN RELIEF ALUMINUM, 1/2" |
| 10 | 1 | 81009-S | REMOTE CORD ASSM, 25 FEET |
| 11 | 1 | K11081-S | REMOTE CORD ASSM, 100 FEET |

ELECTRICAL DRAWINGS

9/04 - Present
Wiring Diagram for Electrical
W/ Remote Cord
115 VAC



Remote box Assm.
9/04-present



| ITEM # | PART NUMBER | DESCRIPTION |
|----------|---------------|------------------------------------|
| 22..... | 21008-0 | REMOTE BOX 3/4" W/HOLE |
| 23..... | 21008-09 | STRAIN RELIEF, ALUM. 3/4" |
| 24..... | 11081 | REMOTE CORD 16/4 x 100' (ONLY) |
| 25..... | 01009 | REMOTE BOX SHIELD STICKER |
| 26..... | 11008-06-01-S | REMOTE BOX ROCKER SWITCH |
| 26A..... | 21021-S | REMOTE BOX ROCKER SWITCH ASSM. |
| 27..... | RR21004 | REMOTE BOX 3/4" SHIELD W/O STICKER |
| 28..... | F119 | 8* 32 x 3/8 PP ZN |
| 29..... | F122 | 6* 32 x 3/8 PP ZN |
| 30..... | F124 | 6* 32 NYLON INSERT LOCK NUT |
| 31..... | F153 | #6 RING TERMINAL, BLUE |
| 32..... | F136 | BUTT SPLICE, BLUE |
| 33..... | F230 | SHRINK TUBE 3/16 x 1/4", WHITE |
| 34..... | F231 | SHRINK TUBE 3/16 x 1/4", RED |

Cyclone

Electrical Drawings (Cont'd)

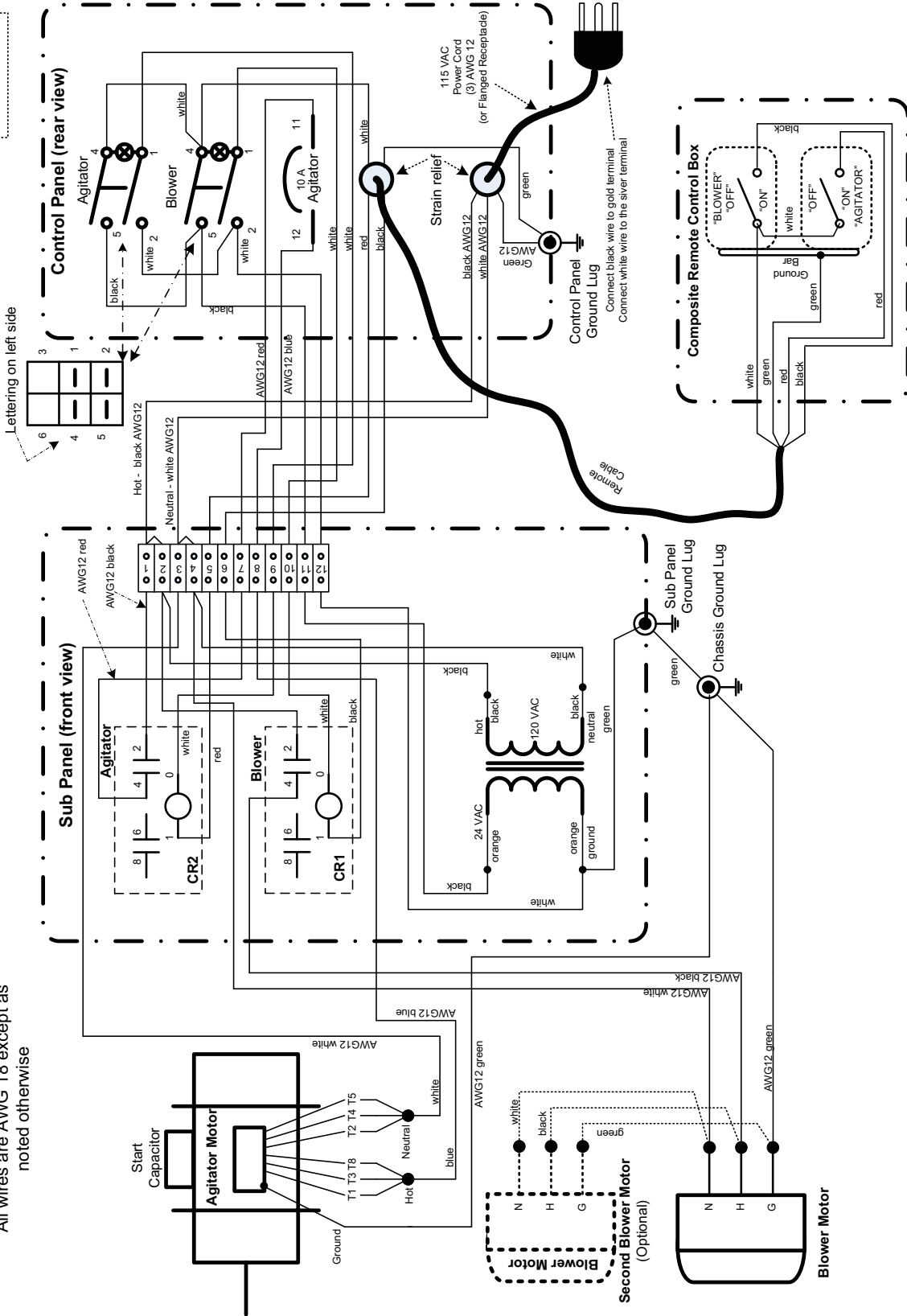
Electrical Wiring Diagram
Mfg. from 1/2011 - Present

Cyclone (115VAC) – USA/Canada

Wiring Diagram (Sheet 1 of 1)

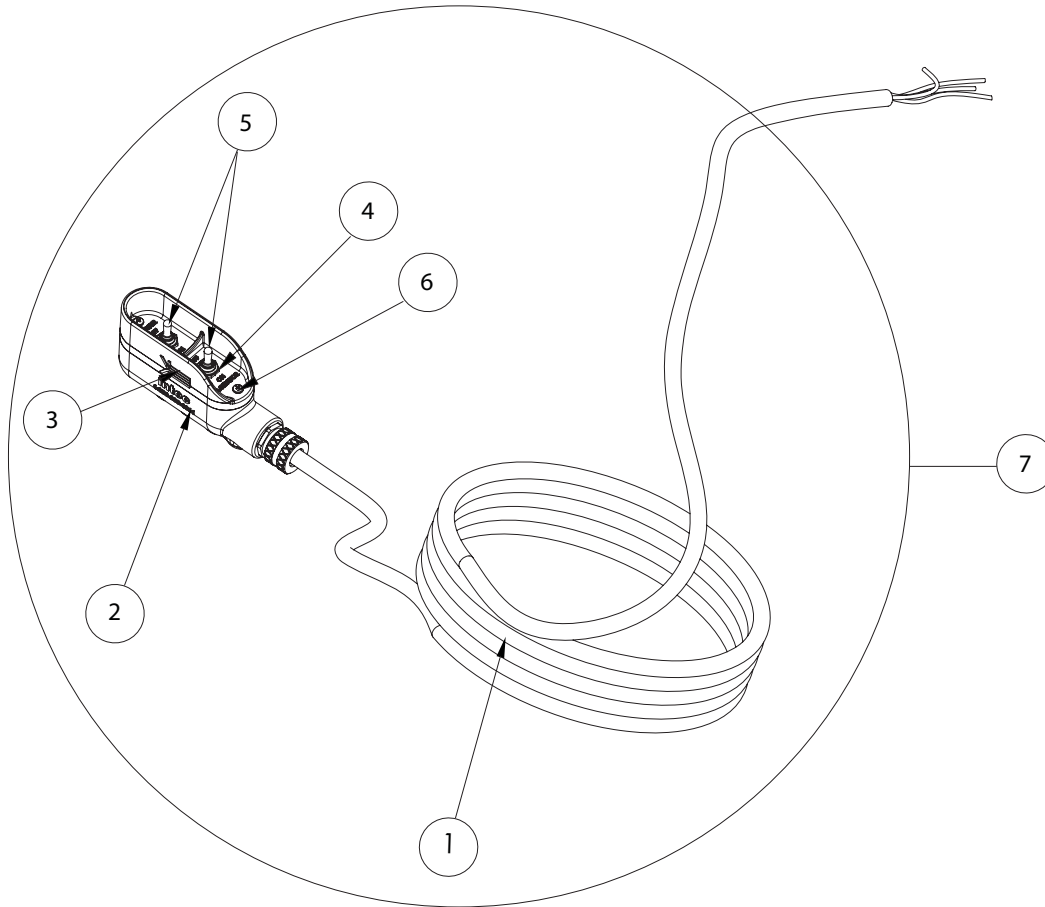
Rev. 4
Date: 2/20/10
INTEC

All wires are AWG 18 except as noted otherwise



Cyclone

Electrical Drawings (Cont'd)



| Item # | QTY. | PART NUMBER | DESCRIPTION |
|--------|--------|---------------|--|
| 1..... | 1..... | 11081..... | Remote Cord 16/4 x 100' |
| 2..... | 1..... | 21050..... | Remote Box, 3/4", Molded |
| 3..... | 1..... | 21051..... | Remote, Box Shield, 3/4" Molded |
| 4..... | 2..... | 11072..... | Remote Box Toggle Switch Seal |
| 5..... | 1..... | 21061..... | Switch Assm, Field Replacement Remote Box Molded |
| 6..... | 2..... | F119..... | 8 [#] 32 x 3/8" Screw |
| 7..... | 1..... | K11082-S..... | Remote Cord Assm Molded, 16/4 x 100' |

BEFORE OPERATING EQUIPMENT

Remote control operation:
 When starting the machine, **FIRST, TURN ON THE BLOWER** then the agitator. When shutting the machine off, **FIRST, TURN OFF THE AGITATOR** then the blower.

NOTE: Do not allow the agitator to run for more than 5 minutes without the blower running or damage may occur to the blower motor.

ANTES DE UTILIZAR EL EQUIPO

Funcionamiento del control remoto:
 Cuando arranque el equipo, **PRIMERO ENCIENDA EL COMPRESOR** y luego el agitador. Cuando apague el equipo, **PRIMERO APAGUE EL AGITADOR** y luego el compresor.

IMPORTANTE: no permita que el agitador funcione por más de 5 minutos sin que el compresor esté en funcionamiento; de lo contrario, se pueden producir daños en el motor del compresor.

CYCLONE

Claims, Damage or Loss

These goods were carefully packed and thoroughly inspected before leaving our factory. Responsibility for its safe delivery was assumed by the carrier upon acceptance of the shipment. Inspect shipment carefully on the arrival for damage to contents, shortages or equipment. In case of damage save container and packing material for inspection. Claims for loss or damage sustained in transit must, therefore, be made upon the carrier, as follows:

1. CONCEALED LOSS OR DAMAGE. Concealed loss or damage means loss or damage which does not become apparent until the merchandise has been unpacked. The contents may be damaged in transit due to rough handling even though the carton may not show external damage. When the damage is discovered upon unpacking make a written request for inspection by the carrier's agent within ten days of the delivery date. Then file a claim with the carrier since such a claim is the carrier's responsibility.

2. VISIBLE LOSS OR DAMAGE. Any external evidence of loss or damage must be noted on the freight bill or the express receipt, and signed by the carrier's agent. Failure to adequately describe such external evidence of loss or damage may result in the carrier refusing to honor a damage claim. The form required to file such a claim will be supplied by the carrier.

3. SHORTAGE. If the number of containers in the shipment does not correspond with the transportation bill, obtain carrier's notation of shortage and signature on transportation bill. When the number of containers is correct, but there is indication of pilferage, notify carrier in writing with a complete list of missing merchandise.

Claims for loss or damage must be filed with the carrier by the consignee **within 24 hours after receipt of goods**. We will assist you in every possible manner but cannot be responsible for the collection of a claim or the cost of replacement of the damaged goods.

If you have any questions regarding the above information please feel free to contact an INTEC representative.

CYCLONE

Claims, Damage or Loss

RETURNS

We at INTEC sincerely hope the merchandise you have just received is in excellent condition and satisfies your expectations. If not, please look below and follow the instructions which apply to your particular situation.

MERCHANDISE IS DAMAGED.

If the carrier is UPS:

Keep the merchandise in the original packing materials and carton.

Call UPS at (800) 742-5877 or contact them using their web address: www.ups.com/using/custserv/ to notify them of the damaged package.

Fill out the information sheet on the following page and mail or fax it to the attention of the Shipping Department.

Upon return of this form and/or the damaged merchandise, we will send a replacement or credit your account.

Other than UPS:

Keep the merchandise in the original packing materials and carton.

Call the Shipping Department at the number on the following page for further instructions.

Upon return of this form and/or the damaged merchandise by the carrier, we will send you a replacement or credit your account. Do not return any merchandise through the U.S. Post Office.

MERCHANDISE IS PERSONALLY UNSATISFACTORY TO YOU.

You may return the merchandise, along with a RMA number on outside of carton and a copy of your invoice to the Shipping Department at the address provided on the next page. Upon its return intact, we will send a refund or credit your account. A restocking fee may be charged.

CYCLONE

Claims, Damage or Loss

SHIPMENTS TO FACTORY

All shipments to the factory must have a RMA number on the outside of the carton. You will be given a RMA number when you contact the Sales Department. The RMA is the only way to track and assure that your request is handled properly. If you received an invoice with your merchandise, please include a copy of the invoice with all returned materials.

Company Name _____

Contact Name _____

Phone _____ Fax _____

Address _____

City _____ State _____ Zip _____

Invoice Number _____ RMA Number _____

Shipping Department Ph: 1-303-833-6644
INTEC 1-800-666-1611
4040 Kodiak Court Fax: 1-303-833-6650
Frederick, CO 80504 E-mail: info@inteccorp.com

REPLACEMENT PARTS

When you call INTEC, please have available the model number and serial number of your machine, as well as description of the defective part or an explanation of the defect.

We will issue a Return Merchandise Authorization (RMA) number and instructions to return the defective part. All shipments to INTEC must be sent via UPS, except in the case of complete machines, when a common carrier should be used. The warranty on your machine does not cover **freight** or **labor charges**. All shipments to the factory or service center must be freight prepaid. No freight collect shipments will be accepted without prior approval.

CYCLONE

Claims, Damage or Loss

Your RMA number must appear on the outside of any returned cartons. We assume no responsibility for incoming lost or untraceable shipments. RMA numbers expire 30 days after issue date. Shipments received after the 30-day expiration period may not be credited.

We will repair or replace, at our option, any returned part found to be defective in materials or workmanship under the terms of our limited warranty. Repaired or replaced parts will be returned to you freight collect.

If we determine the part failure was due to misuse, alteration, negligence, accident or operating beyond rated capacity, we will contact you. At your option, we will send you a new part at the prevailing price or return the failed part to you. All shipments from the factory are sent freight collect.

If you require a replacement part prior to a warranty decision, we will send the part to you at the prevailing price, under your current terms. When we receive the defective part and a warranty decision has been made, INTEC will either issue a credit to your account or return the failed part to you.

| | |
|---------------------|--|
| Shipping Department | Ph: 1-303-833-6644 |
| INTEC | 1-800-666-1611 |
| 4040 Kodiak Court | Fax: 1-303-833-6650 |
| Frederick, CO 80504 | E-mail: info@intecorp.com |

CYCLONE

Warranty

It is expressly understood and agreed that no officer, agent, salesman or employee of the Manufacturer INTEC has the authority to obligate the Manufacturer by any terms, stipulations, or conditions not herein expressed; that all previous representations and agreements, either verbal or written, referring to the machinery and equipment, which is the subject of this Warranty, are hereby superseded and canceled, and that there are no promises or agreements outside of this Warranty agreement. Furthermore, the Manufacturer hereby disclaims any implied warranties of merchantability, or implied warranties of fitness for a particular purpose.

With the above understanding, the Manufacturer's CYCLONE insulation blowing machine is sold with the following one (1) year Limited Warranty, and no other:

- a) Manufacturer warrants to the original purchaser that the machine is well made, of good material and durable; but only if the machine is operated and maintained in accordance with this Operator's Manual and the Maintenance Manual. This Warranty is void if the machine is not so operated and maintained, or if the machine is used for blowing materials other than those which are intended to be used with the machine.
- b) Manufacturer guarantees the machine to be free from manufacturing defects at the time of shipment, and to remain free from defects when operated under normal use, for a period of one (1) year from the date of factory shipment, with the exception of the blower, electrical and air lock components, which are guaranteed for a period of ninety, (90) days from date of factory shipment.
- c) This Warranty shall not apply to any machine or component part which, in the opinion of the Manufacture, has been altered, subject to misuse, negligence, accident or operated beyond factory rated capacity. All requested Warranty work shall be performed at Manufacturer's factory or by an Authorized Factory Service Facility. Failure to have the Warranty work done at Manufacturer's factory or by an Authorized Factory Service Facility will void this Warranty. Manufacturer will bear full responsibility to repair or replace, at its option, without charge to the original purchaser, any part which, in the Manufacturer's opinion, is found to be defective.
- d) All parts claimed defective by original purchaser shall be returned, properly identified, to Manufacturer's factory or Authorized Factory Service facility, freight prepaid. All replacement, repaired or non-defective parts will be returned to purchaser, freight collect. Manufacturer will supply replacement parts prior to receipt of my parts claimed defective, only with the understanding that such replacement parts will be shipped to purchaser at the then prevailing price of said part, C.O.D., freight collect. Manufacturer will reimburse cost of any such part only after receipt and inspection, and finding said part defective.
- e) Manufacturer's liability is expressly limited to the repair or replacement of defective parts set forth in this Warranty. All other damages and warranties, statutory or otherwise, being waived by original purchaser as a condition of sale and purchase